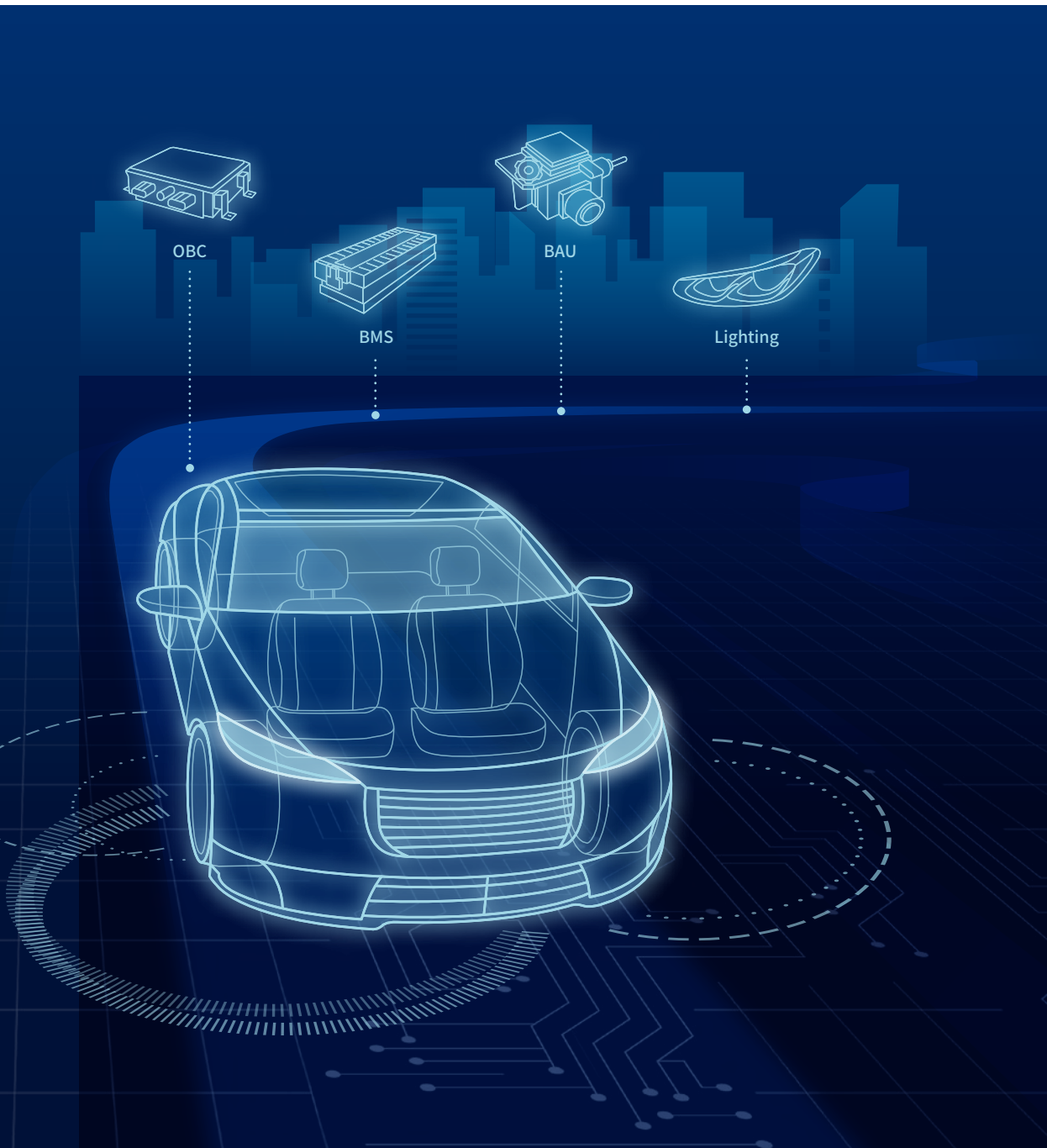


January 2023

MULTILAYER CERAMIC CAPACITORS for AUTOMOTIVE



SAMSUNG
ELECTRO-MECHANICS



MULTILAYER CERAMIC CAPACITORS for AUTOMOTIVE



Interactive User Guide

Samsung Electro-Mechanics' MLCC for AUTOMOTIVE Catalog was produced as an INTERACTIVE PDF that allows transferring to related webpages for better understanding of the content. Click 'HOME,' 'CONTENTS,' OR 'GO BACK TO PAGE' as needed, and it is also possible to 'PRINT' the pages. If you click the icon at the top of the page, it is possible to view a specific page of choice.



By clicking this icon, you can jump directly to the cover page of this catalog.



By clicking this icon, you can jump directly to the Table of Contents.



By clicking this icon, you can jump directly to the previous page.



By clicking this icon, you can set and print pages of your choice.



C O N T E N T S

04 Part Numbering

06 General Capacitors

20 High Temperature

24 Mid/High Voltage

28 High Bending Strength

34 ESD Protection

35 Fail Safe

36 Application Guide

56 Reliability Test Conditions

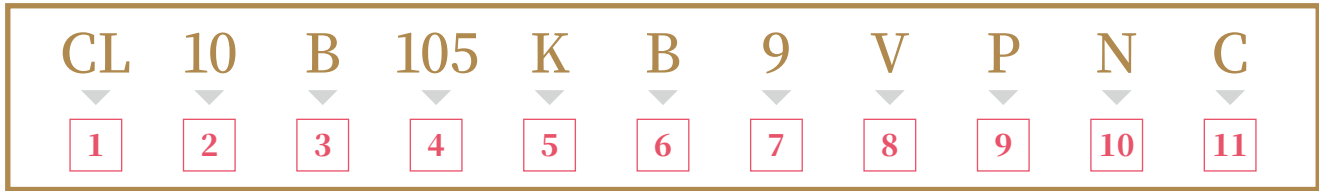
60 Packaging Specifications

65 Caution/Notice

85 Components Sales Offices/Manufacturing Sites



Part Numbering



1 SERIES CODE

CL = Multilayer Ceramic Capacitors

2 SIZE CODE

Code	mm (inch)
03	0603 (0201)
05	1005 (0402)
10	1608 (0603)

Code	mm (inch)
21	2012 (0805)
31	3216 (1206)
32	3225 (1210)

3 DIELECTRIC CODE

Class I (Temperature Compensation)

Symbol	EIA Code	Operation Temperature Range (°C)	Temperature Coefficient Range (ppm/°C)
C	COG	-55 ~ +125	0 ±30
G	X8G	+150	0 ±30

Class II (High Dielectric Constant)

Symbol	EIA Code	Operation Temperature Range (°C)	Capacitance Change (Δ°C%)
B	X7R	-55 ~ +125	±15
Y	X7S	-55 ~ +125	±22
Z	X7T	-55 ~ +125	-33 ~ +22
E	X8L	-55 ~ +150	-40 ~ +15
M	X8M	-55 ~ +150	-50 ~ +15

4 CAPACITANCE CODE

Capacitance expressed in pF. 2 significant digits plus number of zeros. example) 107=10×10⁷=100,000,000pF

For values < 10pF, Letter R denotes decimal point example) 1R5 = 1.5pF

5 CAPACITANCE TOLERANCE CODE

Code	Tolerance	TC	Capacitance series	Remark
B	±0.1pF	COG	E-12 series*	≤2pF
C	±0.25pF	COG	E-12 series*	≤5pF
D	±0.5pF	COG	E-12 series*	5pF<Cp<10pF
J	±5%	COG	E-12 series	≥10pF
K	±10%	X7R/X7S	E-6 series	
M	±20%	X7R/X7S	E-6 series	

* E-24 series is also available (necessary to be checked with Sales or Marketing department.)

※ This code has only typical specifications. Please refer to individual specifications.

※ Please contact us for tolerance which are not indicated the above table. (A: ±0.05pF F: 1% G: 2%)



Part Numbering

Code	Capacitance Step											
E-3	1.0				2.2				4.7			
E-6	1.0		1.5		2.2		3.3		4.7		6.8	
E-12	1.0	1.2	1.5	1.8	2.2	2.7	3.3	3.9	4.7	5.6	6.8	8.2
E-24	1.0	1.2	1.5	1.8	2.2	2.7	3.3	3.9	4.7	5.6	6.8	8.2
	1.1	1.3	1.6	2.0	2.4	3.0	3.6	4.3	5.1	6.2	7.5	9.1

6 RATED VOLTAGE CODE

S = 2.5V R = 4V Q = 6.3V P = 10V O = 16V A = 25V L = 35V B = 50V C = 100V E = 250V H = 630V I = 1000V

7 THICKNESS CODE

Size mm (inch)	Code	Thickness*	Tolerance
0603(0201)	3	0.30	± 0.03
	S	0.30	± 0.05
1005(0402)	5	0.50	± 0.05
	6	0.50	± 0.20
1608(0603)	8	0.80	± 0.10
	9	0.90	± 0.10
2012(0805)	C	0.85	± 0.10
	F	1.25	± 0.10
	Q	1.25	± 0.15

Size mm (inch)	Code	Thickness*	Tolerance
2012(0805)	Y	1.25	± 0.20
	B	1.25	± 0.25
3216(1206)	H	1.60	± 0.20
	K	1.60	± 0.30
3225(1210)	J	2.50	± 0.20
	V	2.50	± 0.30

* In case of High Bending Strength, ESD protection capacitors, Please refer to individual specifications.

※ This code has only typical specifications. Please refer to individual specifications.

8 DESIGN CODE

Code	Inner electrode	Termination	Plating material	Design
1	Ni	Cu	Ni_Sn 100%	Standard
2	Ni	Cu	Ni_Sn 100%	Open Mode
3	Ni	Cu	Ni_Sn 100%	Float Mode
4	Ni	Ag/Metal Epoxy	Ni_Sn 100%	Standard
5	Ni	Ag/Metal Epoxy	Ni_Sn 100%	Open Mode
6	Ni	Cu-IMC Epoxy	Ni_Sn 100%	Standard
V	Ni	Cu/Metal Epoxy	Ni_Sn 100%	Standard
W	Ni	Cu/Metal Epoxy	Ni_Sn 100%	Open Mode
X	Ni	Cu/Metal Epoxy	Ni_Sn 100%	Float Mode

9 PRODUCT CODE OR SIZE CONTROL CODE

P = Automotive product meet AEC - Q200

10 CONTROL CODE

N = Standard J = High Bending Strength E = ESD Protection

11 PACKAGING CODE

Code	Type
C	Cardboard Tape, 7"reel
D/L	Cardboard Tape, 13"reel (Quantity option)*

Code	Type
E	Embossed Tape, 7"reel
F	Embossed Tape, 13"reel

* Refer to the packaging specsheet

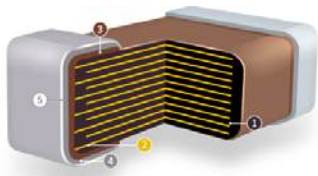


General Capacitors

General

Features

- Manufactured by state-of-the-art facilities, recommended for registration of ISO 9001 & IATF 16949
- AEC-Q200 and JEDEC-020-D qualified products.
- RoHS compliant products.
- X7R dielectric components have BME and metal-epoxy terminations with a Ni/Sn plated overcoat.
- COG dielectric components contain BME and copper terminations with a Ni/Sn plated overcoat.

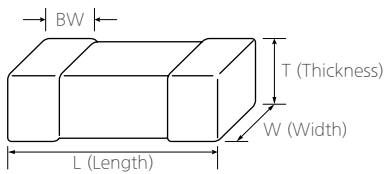


- ① Ceramic Body
- ② Electrode (Ni)
- ③ Termination (Cu or Cu+Metal Epoxy)
- ④ Plating (Ni)
- ⑤ Plating (Sn)

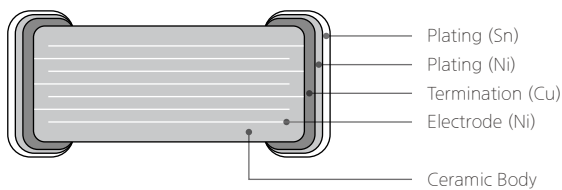
Applications

- Powertrain, Safety, Body & Chassis, Convenience, Infotainment, ADAS and Electric Vehicle

Structure and Dimensions

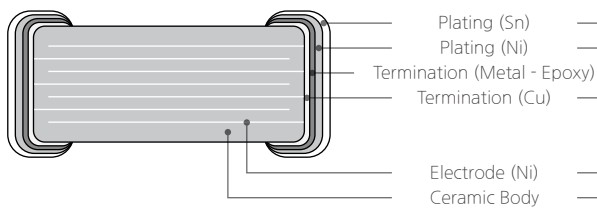


COG



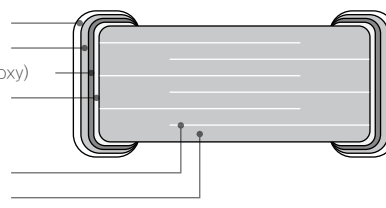
X7R Standard

[VPN]



X7R Open mode

[WPN]





General Capacitors

Size Code	Thickness Code	Dimension (mm)				EIA (inch)
		L	W	T	BW	
03	3	0.60±0.03	0.30±0.03	0.30±0.03	0.15±0.05	0201
	S	0.60±0.05	0.30±0.05	0.30±0.05	0.15±0.05	
05	5	1.00±0.05	0.50±0.05	0.50±0.05	0.25±0.10	0402
	6	1.00±0.20	0.50±0.20	0.50±0.20	0.25±0.10	
10	8	1.60±0.10	0.80±0.10	0.80±0.10	0.30±0.20	0603
	9	1.60±0.20	0.80±0.20	0.80±0.20	0.30±0.20	
21	6	2.00±0.10	1.25±0.10	0.60±0.10	0.50+0.20/-0.30	0805
	C	2.00±0.10	1.25±0.10	0.85±0.10	0.50+0.20/-0.30	
	F	2.00±0.10	1.25±0.10	1.25±0.10	0.50+0.20/-0.30	
	Q	2.00±0.15	1.25±0.15	1.25±0.15	0.50+0.20/-0.30	
	Y	2.00±0.20	1.25±0.20	1.25±0.20	0.50+0.20/-0.30	
	B	2.00±0.25	1.25±0.25	1.25±0.25	0.50+0.20/-0.30	
31	H	3.20±0.20	1.60±0.20	1.60±0.20	0.50±0.30	1206
	K	3.20±0.30	1.60±0.30	1.60±0.30	0.50±0.30	
32	I	3.20±0.30	2.50±0.20	2.00±0.20	0.60±0.30	1210
	J	3.20±0.30	2.50±0.20	2.50±0.20	0.60±0.30	
	V	3.20±0.40	2.50±0.30	2.50±0.30	0.60±0.30	

※ This code has only typical specifications. Please refer to individual specifications.

Capacitance Table (COG)

Category	TC	Size mm (inch)	Rated Voltage (Vdc)	Capacitance									Capacitance Range						
				pF			nF			uF									
				0.1	1	10	100	1	10	100	1	10		100					
AEC-Q200 Normal	COG (125°C)	1005 (0402)	50			█											1pF - 220pF		
			100			█											1pF - 100pF		
		1608 (0603)	50			█												2pF - 1nF	
			100			█												2pF - 270pF	
		2012 (0805)	50				█												10pF - 10nF
			100				█												10pF - 1nF



Part Numbering
► General Capacitors
 High Temperature
 Mid/High Voltage
 High Bending Strength

ESD Protection
 Fail Safe
 Application Guide
 Reliability Test Conditions

Packaging Specifications
 Caution/Notice
 Components Sales Offices/
 Manufacturing Sites

General Capacitors

Capacitance Table (X7R/X7S/X7T)

Category	TC	Size mm (inch)	Rated Voltage (Vdc)	Capacitance									Capacitance Range																						
				pF			nF			uF																									
				0.1	1	10	100	1	10	100	1	10		100																					
AEC-Q200 Normal (Epoxy)	X7R (125°C)	0603 (0201)	6.3																													10nF			
			10																															1nF - 10nF	
			16																																1nF - 10nF
			25																																1nF - 10nF
		1005 (0402)	10																																220nF
			16																																1nF - 220nF
			25																																1nF - 220nF
			50																																330pF - 100nF
		1608 (0603)	100																																1nF - 10nF
			10																																1uF
			16																																47nF - 1uF
			25																																1nF - 1uF
	2012 (0805)	50																																220pF - 1uF	
		100																																220pF - 100nF	
		6.3																																4.7uF - 10uF	
		10																																1uF - 10uF	
	3216 (1206)	16																																330nF - 4.7uF	
		25																																220nF - 4.7uF	
		35																																1uF - 4.7uF	
		50																																10nF - 2.2uF	
		100																																470pF - 220nF	
		6.3																																15uF - 22uF	
	3225 (1210)	10																																10uF - 22uF	
		16																																2.2uF - 10uF	
		25																																680nF - 10uF	
		35																																10uF	
	X7S (125°C)	50																																100nF - 4.7uF	
		100																																100nF - 1uF	
		6.3																																47uF	
		10																																22uF	
	X7R (125°C)	0603 (0201)	16																															15uF - 22uF	
			25																															2.2uF	
			35																															2.2uF	
50																																	2.2uF		
1608 (0603)		25																																2.2uF	
		35																																2.2uF	
		50																																2.2uF	
		100																																10uF	
2012 (0805)	16																																10uF		
	25																																10uF		
	35																																4.7uF		
	50																																1uF		
3216 (1206)	100																																10uF		
	16																																2.2uF		



General Capacitors

Category	TC	Size mm (inch)	Rated Voltage (Vdc)	Capacitance									Capacitance Range											
				pF			nF			uF														
				0.1	1	10	100	1	10	100	1	10		100										
AEC-Q200 Normal (Epoxy)	X7S (125°C)	3225 (1210)	10																				47uF	
			25																					15uF - 22uF
			50																					6.8uF - 10uF
			100																					4.7uF
	X7T (125°C)	1608 (0603)	4																					10uF
			6.3																					4.7uF - 10uF
		2012 (0805)	4																					22uF
			6.3																					22uF
		3216 (1206)	4																					47uF
			6.3																					47uF
3225 (1210)	4																					100uF		
	6.3																					100uF		

Product Line up (COG)

Size : 1.00 × 0.50mm (inch : 0402)

No.	Thickness Max. (mm)	Rated Voltage (Vdc)	TC	Capacitance	Capacitance Tolerance	Part Number
1	0.55	50	COG	1pF	±0.25pF	CL05C010CB51PN#
2	0.55	50	COG	1.2pF	±0.25pF	CL05C1R2CB51PN#
3	0.55	50	COG	1.5pF	±0.25pF	CL05C1R5CB51PN#
4	0.55	50	COG	1.8pF	±0.25pF	CL05C1R8CB51PN#
5	0.55	50	COG	2.2pF	±0.25pF	CL05C2R2CB51PN#
6	0.55	50	COG	3pF	±0.25pF	CL05C030CB51PN#
7	0.55	50	COG	3.3pF	±0.25pF	CL05C3R3CB51PN#
8	0.55	50	COG	3.9pF	±0.25pF	CL05C3R9CB51PN#
9	0.55	50	COG	4.7pF	±0.25pF	CL05C4R7CB51PN#
10	0.55	50	COG	5pF	±0.25pF	CL05C050CB51PN#
11	0.55	50	COG	5.6pF	±0.5pF	CL05C5R6DB51PN#
12	0.55	50	COG	6pF	±0.5pF	CL05C060DB51PN#
13	0.55	50	COG	6.8pF	±0.5pF	CL05C6R8DB51PN#
14	0.55	50	COG	7pF	±0.5pF	CL05C070DB51PN#
15	0.55	50	COG	8pF	±0.5pF	CL05C080DB51PN#
16	0.55	50	COG	8.2pF	±0.5pF	CL05C8R2DB51PN#
17	0.55	50	COG	10pF	±5%	CL05C100JB51PN#
18	0.55	50	COG	12pF	±5%	CL05C120JB51PN#
19	0.55	50	COG	15pF	±5%	CL05C150JB51PN#
20	0.55	50	COG	18pF	±5%	CL05C180JB51PN#
21	0.55	50	COG	22pF	±5%	CL05C220JB51PN#
22	0.55	50	COG	27pF	±5%	CL05C270JB51PN#
23	0.55	50	COG	33pF	±5%	CL05C330JB51PN#
24	0.55	50	COG	39pF	±5%	CL05C390JB51PN#
25	0.55	50	COG	47pF	±5%	CL05C470JB51PN#
26	0.55	50	COG	56pF	±5%	CL05C560JB51PN#



General Capacitors

Size : 1.00 × 0.50mm (inch : 0402)

No.	Thickness Max. (mm)	Rated Voltage (Vdc)	TC	Capacitance	Capacitance Tolerance	Part Number
27	0.55	50	COG	68pF	±5%	CL05C680JB51PN#
28	0.55	50	COG	82pF	±5%	CL05C820JB51PN#
29	0.55	50	COG	100pF	±5%	CL05C101JB51PN#
30	0.55	50	COG	120pF	±5%	CL05C121JB51PN#
31	0.55	50	COG	150pF	±5%	CL05C151JB51PN#
32	0.55	50	COG	180pF	±5%	CL05C181JB51PN#
33	0.55	50	COG	220pF	±5%	CL05C221JB51PN#
34	0.55	100	COG	1pF	±0.25pF	CL05C010CC51PN#
35	0.55	100	COG	1.2pF	±0.25pF	CL05C1R2CC51PN#
36	0.55	100	COG	1.5pF	±0.25pF	CL05C1R5CC51PN#
37	0.55	100	COG	1.8pF	±0.25pF	CL05C1R8CC51PN#
38	0.55	100	COG	2.2pF	±0.25pF	CL05C2R2CC51PN#
39	0.55	100	COG	2.7pF	±0.25pF	CL05C2R7CC51PN#
40	0.55	100	COG	3.3pF	±0.25pF	CL05C3R3CC51PN#
41	0.55	100	COG	3.9pF	±0.25pF	CL05C3R9CC51PN#
42	0.55	100	COG	4.7pF	±0.25pF	CL05C4R7CC51PN#
43	0.55	100	COG	6.8pF	±0.5pF	CL05C6R8DC51PN#
44	0.55	100	COG	8.2pF	±0.5pF	CL05C8R2DC51PN#
45	0.55	100	COG	10pF	±5%	CL05C100JC51PN#
46	0.55	100	COG	12pF	±5%	CL05C120JC51PN#
47	0.55	100	COG	15pF	±5%	CL05C150JC51PN#
48	0.55	100	COG	18pF	±5%	CL05C180JC51PN#
49	0.55	100	COG	22pF	±5%	CL05C220JC51PN#
50	0.55	100	COG	27pF	±5%	CL05C270JC51PN#
51	0.55	100	COG	33pF	±5%	CL05C330JC51PN#
52	0.55	100	COG	39pF	±5%	CL05C390JC51PN#
53	0.55	100	COG	47pF	±5%	CL05C470JC51PN#
54	0.55	100	COG	56pF	±5%	CL05C560JC51PN#
55	0.55	100	COG	68pF	±5%	CL05C680JC51PN#
56	0.55	100	COG	82pF	±5%	CL05C820JC51PN#
57	0.55	100	COG	100pF	±5%	CL05C101JC51PN#

Size : 1.60 × 0.80mm (inch : 0603)

No.	Thickness Max. (mm)	Rated Voltage (Vdc)	TC	Capacitance	Capacitance Tolerance	Part Number
1	0.90	50	COG	2pF	±0.25pF	CL10C020CB81PN#
2	0.90	50	COG	3.3pF	±0.25pF	CL10C3R3CB81PN#
3	0.90	50	COG	5pF	±0.25pF	CL10C050CB81PN#
4	0.90	50	COG	6pF	±0.5pF	CL10C060DB81PN#
5	0.90	50	COG	8pF	±0.5pF	CL10C080DB81PN#
6	0.90	50	COG	9pF	±0.5pF	CL10C090DB81PN#
7	0.90	50	COG	10pF	±5%	CL10C100JB81PN#



General Capacitors

Size : 1.60 × 0.80mm (inch : 0603)

No.	Thickness Max. (mm)	Rated Voltage (Vdc)	TC	Capacitance	Capacitance Tolerance	Part Number
8	0.90	50	COG	12pF	±5%	CL10C120JB81PN#
9	0.90	50	COG	15pF	±5%	CL10C150JB81PN#
10	0.90	50	COG	18pF	±5%	CL10C180JB81PN#
11	0.90	50	COG	22pF	±5%	CL10C220JB81PN#
12	0.90	50	COG	27pF	±5%	CL10C270JB81PN#
13	0.90	50	COG	33pF	±5%	CL10C330JB81PN#
14	0.90	50	COG	39pF	±5%	CL10C390JB81PN#
15	0.90	50	COG	47pF	±5%	CL10C470JB81PN#
16	0.90	50	COG	56pF	±5%	CL10C560JB81PN#
17	0.90	50	COG	68pF	±5%	CL10C680JB81PN#
18	0.90	50	COG	82pF	±5%	CL10C820JB81PN#
19	0.90	50	COG	100pF	±5%	CL10C101JB81PN#
20	0.90	50	COG	120pF	±5%	CL10C121JB81PN#
21	0.90	50	COG	150pF	±5%	CL10C151JB81PN#
22	0.90	50	COG	180pF	±5%	CL10C181JB81PN#
23	0.90	50	COG	220pF	±5%	CL10C221JB81PN#
24	0.90	50	COG	270pF	±5%	CL10C271JB81PN#
25	0.90	50	COG	330pF	±5%	CL10C331JB81PN#
26	0.90	50	COG	390pF	±5%	CL10C391JB81PN#
27	0.90	50	COG	470pF	±5%	CL10C471JB81PN#
28	0.90	50	COG	560pF	±5%	CL10C561JB81PN#
29	0.90	50	COG	680pF	±5%	CL10C681JB81PN#
30	0.90	50	COG	820pF	±5%	CL10C821JB81PN#
31	0.90	50	COG	1nF	±5%	CL10C102JB81PN#
32	0.90	100	COG	2pF	±0.25pF	CL10C020CC81PN#
33	0.90	100	COG	2.2pF	±0.25pF	CL10C2R2CC81PN#
34	0.90	100	COG	2.7pF	±0.25pF	CL10C2R7CC81PN#
35	0.90	100	COG	3.3pF	±0.25pF	CL10C3R3CC81PN#
36	0.90	100	COG	3.9pF	±0.25pF	CL10C3R9CC81PN#
37	0.90	100	COG	4.7pF	±0.25pF	CL10C4R7CC81PN#
38	0.90	100	COG	6.8pF	±0.5pF	CL10C6R8DC81PN#
39	0.90	100	COG	8pF	±0.5pF	CL10C080DC81PN#
40	0.90	100	COG	8.2pF	±0.5pF	CL10C8R2DC81PN#
41	0.90	100	COG	10pF	±5%	CL10C100JC81PN#
42	0.90	100	COG	12pF	±5%	CL10C120JC81PN#
43	0.90	100	COG	15pF	±5%	CL10C150JC81PN#
44	0.90	100	COG	18pF	±5%	CL10C180JC81PN#
45	0.90	100	COG	22pF	±5%	CL10C220JC81PN#
46	0.90	100	COG	27pF	±5%	CL10C270JC81PN#
47	0.90	100	COG	33pF	±5%	CL10C330JC81PN#
48	0.90	100	COG	39pF	±5%	CL10C390JC81PN#
49	0.90	100	COG	47pF	±5%	CL10C470JC81PN#
50	0.90	100	COG	50pF	±5%	CL10C500JC81PN#



General Capacitors

Size : 1.60 × 0.80mm (inch : 0603)

No.	Thickness Max. (mm)	Rated Voltage (Vdc)	TC	Capacitance	Capacitance Tolerance	Part Number
51	0.90	100	COG	56pF	±5%	CL10C560JC81PN#
52	0.90	100	COG	68pF	±5%	CL10C680JC81PN#
53	0.90	100	COG	82pF	±5%	CL10C820JC81PN#
54	0.90	100	COG	100pF	±5%	CL10C101JC81PN#
55	0.90	100	COG	120pF	±5%	CL10C121JC81PN#
56	0.90	100	COG	150pF	±5%	CL10C151JC81PN#
57	0.90	100	COG	180pF	±5%	CL10C181JC81PN#
58	0.90	100	COG	220pF	±5%	CL10C221JC81PN#
59	0.90	100	COG	270pF	±5%	CL10C271JC81PN#

Size : 2.00 × 1.25mm (inch : 0805)

No.	Thickness Max. (mm)	Rated Voltage (Vdc)	TC	Capacitance	Capacitance Tolerance	Part Number
1	0.70	50	COG	10pF	±5%	CL21C100JB61PN#
2	0.70	50	COG	12pF	±5%	CL21C120JB61PN#
3	0.70	50	COG	15pF	±5%	CL21C150JB61PN#
4	0.70	50	COG	18pF	±5%	CL21C180JB61PN#
5	0.70	50	COG	22pF	±5%	CL21C220JB61PN#
6	0.70	50	COG	27pF	±5%	CL21C270JB61PN#
7	0.70	50	COG	33pF	±5%	CL21C330JB61PN#
8	0.70	50	COG	39pF	±5%	CL21C390JB61PN#
9	0.70	50	COG	47pF	±5%	CL21C470JB61PN#
10	0.70	50	COG	56pF	±5%	CL21C560JB61PN#
11	0.70	50	COG	68pF	±5%	CL21C680JB61PN#
12	0.70	50	COG	82pF	±5%	CL21C820JB61PN#
13	0.70	50	COG	100pF	±5%	CL21C101JB61PN#
14	0.70	50	COG	120pF	±5%	CL21C121JB61PN#
15	0.70	50	COG	150pF	±5%	CL21C151JB61PN#
16	0.70	50	COG	180pF	±5%	CL21C181JB61PN#
17	0.70	50	COG	220pF	±5%	CL21C221JB61PN#
18	0.70	50	COG	270pF	±5%	CL21C271JB61PN#
19	0.70	50	COG	330pF	±5%	CL21C331JB61PN#
20	0.95	50	COG	470pF	±5%	CL21C471JBC1PN#
21	0.95	50	COG	560pF	±5%	CL21C561JBC1PN#
22	0.95	50	COG	680pF	±5%	CL21C681JBC1PN#
23	0.95	50	COG	820pF	±5%	CL21C821JBC1PN#
24	0.95	50	COG	1nF	±5%	CL21C102JBC1PN#
25	0.95	50	COG	1.2nF	±5%	CL21C122JBC1PN#



General Capacitors

Size : 2.00 × 1.25mm (inch : 0805)

No.	Thickness Max. (mm)	Rated Voltage (Vdc)	TC	Capacitance	Capacitance Tolerance	Part Number
26	0.95	50	COG	1.5nF	±5%	CL21C152JBC1PN#
27	0.95	50	COG	1.8nF	±5%	CL21C182JBC1PN#
28	0.95	50	COG	2.2nF	±5%	CL21C222JBC1PN#
29	0.95	50	COG	2.7nF	±5%	CL21C272JBC1PN#
30	0.95	50	COG	3.3nF	±5%	CL21C332JBC1PN#
31	0.95	50	COG	3.9nF	±5%	CL21C392JBC1PN#
32	0.95	50	COG	4.7nF	±5%	CL21C472JBC1PN#
33	0.95	50	COG	5.6nF	±5%	CL21C562JBC1PN#
34	1.35	50	COG	6.8nF	±5%	CL21C682JBF1PN#
35	1.35	50	COG	8.2nF	±5%	CL21C822JBF1PN#
36	1.35	50	COG	10nF	±5%	CL21C103JBF1PN#
37	0.70	100	COG	10pF	±5%	CL21C100JC61PN#
38	0.70	100	COG	12pF	±5%	CL21C120JC61PN#
39	0.70	100	COG	15pF	±5%	CL21C150JC61PN#
40	0.70	100	COG	18pF	±5%	CL21C180JC61PN#
41	0.70	100	COG	20pF	±5%	CL21C200JC61PN#
42	0.70	100	COG	22pF	±5%	CL21C220JC61PN#
43	0.70	100	COG	24pF	±5%	CL21C240JC61PN#
44	0.70	100	COG	27pF	±5%	CL21C270JC61PN#
45	0.70	100	COG	33pF	±5%	CL21C330JC61PN#
46	0.70	100	COG	39pF	±5%	CL21C390JC61PN#
47	0.70	100	COG	47pF	±5%	CL21C470JC61PN#
48	0.70	100	COG	56pF	±5%	CL21C560JC61PN#
49	0.70	100	COG	68pF	±5%	CL21C680JC61PN#
50	0.70	100	COG	82pF	±5%	CL21C820JC61PN#
51	0.70	100	COG	100pF	±5%	CL21C101JC61PN#
52	0.70	100	COG	120pF	±5%	CL21C121JC61PN#
53	0.70	100	COG	150pF	±5%	CL21C151JC61PN#
54	0.70	100	COG	180pF	±5%	CL21C181JC61PN#
55	0.70	100	COG	220pF	±5%	CL21C221JC61PN#
56	0.70	100	COG	270pF	±5%	CL21C271JC61PN#
57	0.70	100	COG	330pF	±5%	CL21C331JC61PN#
58	0.70	100	COG	390pF	±5%	CL21C391JC61PN#
59	0.95	100	COG	470pF	±5%	CL21C471JCC1PN#
60	0.95	100	COG	560pF	±5%	CL21C561JCC1PN#
61	0.95	100	COG	680pF	±5%	CL21C681JCC1PN#
62	0.95	100	COG	820pF	±5%	CL21C821JCC1PN#
63	0.95	100	COG	1nF	±5%	CL21C102JCC1PN#



General Capacitors

Product Line up (X7R/X7S/X7T)

Size : 0.60 × 0.30mm (inch : 0201)

No.	Thickness Max. (mm)	Rated Voltage (Vdc)	TC	Capacitance	Capacitance Tolerance	Part Number
1	0.35	6.3	X7R	10nF	±10%	CL03B103KQSVPN#
2	0.35	6.3	X7S	22nF	±10%	CL03Y223KQSVPN#
3	0.35	6.3	X7S	33nF	±10%	CL03Y333KQSVPN#
4	0.35	6.3	X7S	47nF	±10%	CL03Y473KQSVPN#
5	0.35	6.3	X7S	68nF	±10%	CL03Y683KQSVPN#
6	0.35	6.3	X7S	100nF	±10%	CL03Y104KQSVPN#
7	0.35	10	X7R	1nF	±10%	CL03B102KPSVPN#
8	0.35	10	X7R	3.3nF	±10%	CL03B332KPSVPN#
9	0.35	10	X7R	4.7nF	±10%	CL03B472KPSVPN#
10	0.35	10	X7R	10nF	±10%	CL03B103KPSVPN#
11	0.35	16	X7R	1nF	±10%	CL03B102KOSVPN#
12	0.35	16	X7R	2.2nF	±10%	CL03B222KOSVPN#
13	0.35	16	X7R	4.7nF	±10%	CL03B472KOSVPN#
14	0.35	16	X7R	10nF	±10%	CL03B103KOSVPN#
15	0.35	25	X7R	1nF	±10%	CL03B102KASVPN#
16	0.35	25	X7R	2.2nF	±10%	CL03B222KASVPN#
17	0.35	25	X7R	4.7nF	±10%	CL03B472KASVPN#
18	0.35	25	X7R	6.8nF	±10%	CL03B682KASVPN#
19	0.35	25	X7R	10nF	±10%	CL03B103KASVPN#

Size : 1.00 × 0.50mm (inch : 0402)

No.	Thickness Max. (mm)	Rated Voltage (Vdc)	TC	Capacitance	Capacitance Tolerance	Part Number
1	0.55	6.3	X7S	220nF	±10%	CL05Y224KQ5VPN#
2	0.55	6.3	X7S	470nF	±10%	CL05Y474KQ5VPN#
3	0.7	6.3	X7S	1uF	±10%	CL05Y105KQ6VPN#
4	0.55	10	X7R	220nF	±10%	CL05B224KP5VPN#
5	0.55	10	X7S	330nF	±10%	CL05Y334KP5VPN#
6	0.6	10	X7S	470nF	±10%	CL05Y474KP5VPN#
7	0.7	10	X7S	1uF	±10%	CL05Y105KP6VPN#
8	0.55	16	X7R	1nF	±10%	CL05B102KO5VPN#
9	0.55	16	X7R	4.7nF	±10%	CL05B472KO5VPN#
10	0.55	16	X7R	10nF	±10%	CL05B103KO5VPN#
11	0.55	16	X7R	15nF	±10%	CL05B153KO5VPN#
12	0.55	16	X7R	22nF	±10%	CL05B223KO5VPN#
13	0.55	16	X7R	33nF	±10%	CL05B333KO5VPN#
14	0.55	16	X7R	47nF	±10%	CL05B473KO5VPN#
15	0.55	16	X7R	68nF	±10%	CL05B683KO5VPN#
16	0.55	16	X7R	100nF	±10%	CL05B104KO5VPN#
17	0.55	16	X7R	220nF	±10%	CL05B224KO5VPN#
18	0.55	25	X7R	1nF	±10%	CL05B102KA5VPN#
19	0.55	25	X7R	4.7nF	±10%	CL05B472KA5VPN#
20	0.55	25	X7R	6.8nF	±10%	CL05B682KA5VPN#



General Capacitors

Size : 1.00 × 0.50mm (inch : 0402)

No.	Thickness Max. (mm)	Rated Voltage (Vdc)	TC	Capacitance	Capacitance Tolerance	Part Number
21	0.55	25	X7R	10nF	±10%	CL05B103KA5VPN#
22	0.55	25	X7R	22nF	±10%	CL05B223KA5VPN#
23	0.55	25	X7R	33nF	±10%	CL05B333KA5VPN#
24	0.55	25	X7R	47nF	±10%	CL05B473KA5VPN#
25	0.55	25	X7R	100nF	±10%	CL05B104KA54PN#
26	0.55	25	X7R	220nF	±10%	CL05B224KA5VPN#
27	0.55	50	X7R	330pF	±10%	CL05B331KB5VPN#
28	0.55	50	X7R	470pF	±10%	CL05B471KB5VPN#
29	0.55	50	X7R	680pF	±10%	CL05B681KB5VPN#
30	0.55	50	X7R	1nF	±10%	CL05B102KB5VPN#
31	0.55	50	X7R	1.5nF	±10%	CL05B152KB5VPN#
32	0.55	50	X7R	2.2nF	±10%	CL05B222KB5VPN#
33	0.55	50	X7R	3.3nF	±10%	CL05B332KB5VPN#
34	0.55	50	X7R	4.7nF	±10%	CL05B472KB5VPN#
35	0.55	50	X7R	6.8nF	±10%	CL05B682KB5VPN#
36	0.55	50	X7R	10nF	±10%	CL05B103KB5VPN#
37	0.55	50	X7R	15nF	±10%	CL05B153KB5VPN#
38	0.55	50	X7R	22nF	±10%	CL05B223KB5VPN#
39	0.55	50	X7R	33nF	±10%	CL05B333KB5VPN#
40	0.55	50	X7R	47nF	±10%	CL05B473KB5VPN#
41	0.55	50	X7R	68nF	±10%	CL05B683KB54PN#
42	0.55	50	X7R	100nF	±10%	CL05B104KB54PN#
43	0.55	100	X7R	1nF	±10%	CL05B102KC5VPN#
44	0.55	100	X7R	3.3nF	±10%	CL05B332KC5VPN#
45	0.55	100	X7R	4.7nF	±10%	CL05B472KC5VPN#
46	0.55	100	X7R	10nF	±10%	CL05B103KC5VPN#

Size : 1.60 × 0.80mm (inch : 0603)

No.	Thickness Max. (mm)	Rated Voltage (Vdc)	TC	Capacitance	Capacitance Tolerance	Part Number
1	1.00	4	X7T	10uF	±20%	CL10Z106MR9VPN#
2	0.90	6.3	X7S	2.2uF	±10%	CL10Y225KQ84PN#
3	1.00	6.3	X7T	4.7uF	±20%	CL10Z475MQ9VPN#
4	1.00	6.3	X7T	10uF	±20%	CL10Z106MQ9VPN#
5	0.90	10	X7R	1uF	±10%	CL10B105KP8VPN#
6	0.90	10	X7S	2.2uF	±10%	CL10Y225KP84PN#
7	0.90	16	X7R	47nF	±10%	CL10B473K08WPN#
8	0.90	16	X7R	68nF	±10%	CL10B683K08WPN#
9	0.90	16	X7R	100nF	±10%	CL10B104K08WPN#
10	0.90	16	X7R	150nF	±10%	CL10B154K08VPN#
11	0.90	16	X7R	220nF	±10%	CL10B224K08VPN#
12	0.90	16	X7R	330nF	±10%	CL10B334K08VPN#
13	0.90	16	X7R	470nF	±10%	CL10B474K08VPN#



General Capacitors

Size : 1.60 × 0.80mm (inch : 0603)

No.	Thickness Max. (mm)	Rated Voltage (Vdc)	TC	Capacitance	Capacitance Tolerance	Part Number
14	0.90	16	X7R	680nF	±10%	CL10B684K08VFN#
15	0.90	16	X7R	1uF	±10%	CL10B105K08VFN#
16	1.00	16	X7S	2.2uF	±10%	CL10Y225K096PN#
17	0.90	25	X7R	1nF	±10%	CL10B102KA8WPN#
18	0.90	25	X7R	1.5nF	±10%	CL10B152KA8WPN#
19	0.90	25	X7R	2.2nF	±10%	CL10B222KA8WPN#
20	0.90	25	X7R	3.3nF	±10%	CL10B332KA8WPN#
21	0.90	25	X7R	4.7nF	±10%	CL10B472KA8WPN#
22	0.90	25	X7R	6.8nF	±10%	CL10B682KA8WPN#
23	0.90	25	X7R	10nF	±10%	CL10B103KA8WPN#
24	0.90	25	X7R	15nF	±10%	CL10B153KA8WPN#
25	0.90	25	X7R	22nF	±10%	CL10B223KA8WPN#
26	0.90	25	X7R	33nF	±10%	CL10B333KA8WPN#
27	0.90	25	X7R	47nF	±10%	CL10B473KA8WPN#
28	0.90	25	X7R	68nF	±10%	CL10B683KA8WPN#
29	0.90	25	X7R	100nF	±10%	CL10B104KA8WPN#
30	0.90	25	X7R	150nF	±10%	CL10B154KA8VFN#
31	0.90	25	X7R	220nF	±10%	CL10B224KA8VFN#
32	0.90	25	X7R	330nF	±10%	CL10B334KA8VFN#
33	0.90	25	X7R	470nF	±10%	CL10B474KA8VFN#
34	0.90	25	X7R	680nF	±10%	CL10B684KA8VFN#
35	0.90	25	X7R	1uF	±10%	CL10B105KA8VFN#
36	1.00	25	X7S	2.2uF	±10%	CL10Y225KA96PN#
37	0.90	50	X7R	220pF	±10%	CL10B221KB8WPN#
38	0.90	50	X7R	470pF	±10%	CL10B471KB8WPN#
39	0.90	50	X7R	1nF	±10%	CL10B102KB8WPN#
40	0.90	50	X7R	1.5nF	±10%	CL10B152KB8WPN#
41	0.90	50	X7R	2.2nF	±10%	CL10B222KB8WPN#
42	0.90	50	X7R	3.3nF	±10%	CL10B332KB8WPN#
43	0.90	50	X7R	4.7nF	±10%	CL10B472KB8WPN#
44	0.90	50	X7R	6.8nF	±10%	CL10B682KB8WPN#
45	0.90	50	X7R	10nF	±10%	CL10B103KB8WPN#
46	0.90	50	X7R	15nF	±10%	CL10B153KB8WPN#
47	0.90	50	X7R	22nF	±10%	CL10B223KB8WPN#
48	0.90	50	X7R	33nF	±10%	CL10B333KB8WPN#
49	0.90	50	X7R	47nF	±10%	CL10B473KB8WPN#
50	0.90	50	X7R	68nF	±10%	CL10B683KB8WPN#
51	0.90	50	X7R	100nF	±10%	CL10B104KB8WPN#
52	0.90	50	X7R	150nF	±10%	CL10B154KB8VFN#
53	0.90	50	X7R	220nF	±10%	CL10B224KB8VFN#
54	0.90	50	X7R	330nF	±10%	CL10B334KB8VFN#
55	0.90	50	X7R	470nF	±10%	CL10B474KB8VFN#
56	1.00	50	X7R	1uF	±10%	CL10B105KB9VFN#
57	0.90	100	X7R	220pF	±10%	CL10B221KC8WPN#
58	0.90	100	X7R	330pF	±10%	CL10B331KC8WPN#



General Capacitors

Size : 1.60 × 0.80mm (inch : 0603)

No.	Thickness Max. (mm)	Rated Voltage (Vdc)	TC	Capacitance	Capacitance Tolerance	Part Number
59	0.90	100	X7R	470pF	±10%	CL10B471KC8WPN#
60	0.90	100	X7R	560pF	±10%	CL10B561KC8WPN#
61	0.90	100	X7R	1nF	±10%	CL10B102KC8WPN#
62	0.90	100	X7R	1.5nF	±10%	CL10B152KC8WPN#
63	0.90	100	X7R	2.2nF	±10%	CL10B222KC8WPN#
64	0.90	100	X7R	3.3nF	±10%	CL10B332KC8WPN#
65	0.90	100	X7R	4.7nF	±10%	CL10B472KC8WPN#
66	0.90	100	X7R	6.8nF	±10%	CL10B682KC8WPN#
67	0.90	100	X7R	10nF	±10%	CL10B103KC8WPN#
68	0.90	100	X7R	22nF	±10%	CL10B223KC8WPN#
69	0.90	100	X7R	33nF	±10%	CL10B333KC8WPN#
70	0.90	100	X7R	47nF	±10%	CL10B473KC8WPN#
71	0.90	100	X7R	68nF	±10%	CL10B683KC8WPN#
72	0.90	100	X7R	100nF	±10%	CL10B104KC8VFN#

Size : 2.00 × 1.25mm (inch : 0805)

No.	Thickness Max. (mm)	Rated Voltage (Vdc)	TC	Capacitance	Capacitance Tolerance	Part Number
1	1.45	4	X7T	22uF	±20%	CL21Z226MRYVFN#
2	1.40	6.3	X7R	4.7uF	±10%	CL21B475KQQVFN#
3	1.45	6.3	X7R	10uF	±10%	CL21B106KQY6PN#
4	1.45	6.3	X7T	22uF	±20%	CL21Z226MQYVFN#
5	1.35	10	X7R	1uF	±10%	CL21B105KPFVFN#
6	1.35	10	X7R	2.2uF	±10%	CL21B225KPFVFN#
7	1.40	10	X7R	4.7uF	±10%	CL21B475KPQVFN#
8	1.45	10	X7R	10uF	±10%	CL21B106KPY6PN#
9	1.35	16	X7R	330nF	±10%	CL21B334KOFVFN#
10	1.35	16	X7R	470nF	±10%	CL21B474KOFVFN#
11	1.35	16	X7R	680nF	±10%	CL21B684KOFVFN#
12	1.35	16	X7R	1uF	±10%	CL21B105KOFVFN#
13	1.35	16	X7R	2.2uF	±10%	CL21B225KOFVFN#
14	1.40	16	X7R	3.3uF	±10%	CL21B335KOQVFN#
15	1.40	16	X7R	4.7uF	±10%	CL21B475KOQVFN#
16	1.40	16	X7S	10uF	±10%	CL21Y106KOQ4PN#
17	1.35	25	X7R	220nF	±10%	CL21B224KAFVFN#
18	1.35	25	X7R	330nF	±10%	CL21B334KAFVFN#
19	1.35	25	X7R	470nF	±10%	CL21B474KAFVFN#
20	1.35	25	X7R	680nF	±10%	CL21B684KAFVFN#
21	1.35	25	X7R	1uF	±10%	CL21B105KAFVFN#
22	1.35	25	X7R	2.2uF	±10%	CL21B225KAFVFN#
23	1.50	25	X7R	3.3uF	±10%	CL21B335KAB6PN#
24	1.50	25	X7R	4.7uF	±10%	CL21B475KAB6PN#
25	1.50	25	X7S	10uF	±10%	CL21Y106KABVFN#
26	1.35	35	X7R	1uF	±10%	CL21B105KLFVFN#



General Capacitors

Size : 2.00 × 1.25mm (inch : 0805)

No.	Thickness Max. (mm)	Rated Voltage (Vdc)	TC	Capacitance	Capacitance Tolerance	Part Number
27	1.45	35	X7R	2.2uF	±10%	CL21B225KLYVFN#
28	1.50	35	X7R	3.3uF	±10%	CL21B335KLB6PN#
29	1.50	35	X7R	4.7uF	±10%	CL21B475KLB6PN#
30	0.70	50	X7R	10nF	±10%	CL21B103KB6WPN#
31	1.35	50	X7R	100nF	±10%	CL21B104KBFVFN#
32	1.35	50	X7R	150nF	±10%	CL21B154KBFVFN#
33	1.35	50	X7R	220nF	±10%	CL21B224KBFVFN#
34	1.35	50	X7R	330nF	±10%	CL21B334KBFVFN#
35	1.35	50	X7R	470nF	±10%	CL21B474KBFVFN#
36	1.35	50	X7R	680nF	±10%	CL21B684KBFVFN#
37	1.35	50	X7R	1uF	±10%	CL21B105KBFVFN#
38	1.45	50	X7R	2.2uF	±10%	CL21B225KBYVFN#
39	1.50	50	X7S	4.7uF	±10%	CL21Y475KBBVFN#
40	0.70	100	X7R	470pF	±10%	CL21B471KC6WPN#
41	0.70	100	X7R	1nF	±10%	CL21B102KC6WPN#
42	0.70	100	X7R	1.5nF	±10%	CL21B152KC6WPN#
43	0.70	100	X7R	2.2nF	±10%	CL21B222KC6WPN#
44	0.70	100	X7R	3.3nF	±10%	CL21B332KC6WPN#
45	0.70	100	X7R	4.7nF	±10%	CL21B472KC6WPN#
46	0.70	100	X7R	6.8nF	±10%	CL21B682KC6WPN#
47	0.70	100	X7R	10nF	±10%	CL21B103KC6WPN#
48	0.70	100	X7R	15nF	±10%	CL21B153KC6WPN#
49	1.35	100	X7R	22nF	±10%	CL21B223KCFWPN#
50	1.35	100	X7R	47nF	±10%	CL21B473KCFWPN#
51	1.35	100	X7R	100nF	±10%	CL21B104KCFWPN#
52	1.40	100	X7R	220nF	±10%	CL21B224KCQVFN#
53	1.45	100	X7S	1uF	±10%	CL21Y105KCYVFN#

Size : 3.20 × 1.60mm (inch : 1206)

No.	Thickness Max. (mm)	Rated Voltage (Vdc)	TC	Capacitance	Capacitance Tolerance	Part Number
1	1.90	4	X7T	47uF	±20%	CL31Z476MRKVFN#
2	1.90	6.3	X7R	15uF	±10%	CL31B156KQKVFN#
3	1.90	6.3	X7R	22uF	±10%	CL31B226KQKVFN#
4	1.90	6.3	X7T	47uF	±20%	CL31Z476MQKVFN#
5	1.80	10	X7R	10uF	±10%	CL31B106KPHVFN#
6	1.90	10	X7R	22uF	±10%	CL31B226KPKVFN#
7	1.80	16	X7R	2.2uF	±10%	CL31B225KOHVFN#
8	1.80	16	X7R	3.3uF	±10%	CL31B335KOHVFN#
9	1.80	16	X7R	4.7uF	±10%	CL31B475KOHVFN#
10	1.80	16	X7R	6.8uF	±10%	CL31B685KOHVFN#
11	1.80	16	X7R	10uF	±10%	CL31B106KOHVFN#
12	1.25	25	X7R	680nF	±10%	CL31B684KAPWPN#
13	1.25	25	X7R	1uF	±10%	CL31B105KAPWPN#



General Capacitors

Size : 3.20 × 1.60mm (inch : 1206)

No.	Thickness Max. (mm)	Rated Voltage (Vdc)	TC	Capacitance	Capacitance Tolerance	Part Number
14	1.80	25	X7R	1.5uF	±10%	CL31B155KAHVPN#
15	1.80	25	X7R	2.2uF	±10%	CL31B225KAHVPN#
16	1.80	25	X7R	3.3uF	±10%	CL31B335KAHVPN#
17	1.80	25	X7R	4.7uF	±10%	CL31B475KAHVPN#
18	1.80	25	X7R	6.8uF	±10%	CL31B685KAHVPN#
19	1.80	25	X7R	10uF	±10%	CL31B106KAHVPN#
20	1.90	35	X7R	10uF	±10%	CL31B106KLK6PN#
21	1.25	50	X7R	100nF	±10%	CL31B104KBWPN#
22	1.25	50	X7R	150nF	±10%	CL31B154KBWPN#
23	1.25	50	X7R	220nF	±10%	CL31B224KBWPN#
24	1.80	50	X7R	330nF	±10%	CL31B334KBHWP#
25	1.80	50	X7R	470nF	±10%	CL31B474KBHWP#
26	1.80	50	X7R	680nF	±10%	CL31B684KBHWP#
27	1.80	50	X7R	1uF	±10%	CL31B105KBHWP#
28	1.80	50	X7R	1.5uF	±10%	CL31B155KBHVP#
29	1.80	50	X7R	2.2uF	±10%	CL31B225KBHVP#
30	1.80	50	X7R	3.3uF	±10%	CL31B335KBHVP#
31	1.80	50	X7R	4.7uF	±10%	CL31B475KBHVP#
32	1.90	50	X7S	10uF	±10%	CL31Y106KBKVP#
33	1.25	100	X7R	100nF	±10%	CL31B104KCPWPN#
34	1.25	100	X7R	220nF	±10%	CL31B224KCPWPN#
35	1.80	100	X7R	470nF	±10%	CL31B474KCHWPN#
36	1.80	100	X7R	1uF	±10%	CL31B105KCHVP#
37	1.80	100	X7S	2.2uF	±10%	CL31Y225KCHVP#

Size : 3.20 × 2.50mm (inch : 1210)

No.	Thickness Max. (mm)	Rated Voltage (Vdc)	TC	Capacitance	Capacitance Tolerance	Part Number
1	2.80	4	X7T	100uF	±20%	CL32Z107MRV6PN#
2	2.80	6.3	X7R	47uF	±10%	CL32B476KQVVP#
3	2.80	6.3	X7T	100uF	±20%	CL32Z107MQV6PN#
4	2.70	10	X7R	22uF	±10%	CL32B226KPJVP#
5	2.80	10	X7S	47uF	±20%	CL32Y476MPVVP#
6	2.70	16	X7R	15uF	±10%	CL32B156KOJVP#
7	2.70	16	X7R	22uF	±10%	CL32B226KOJVP#
8	2.80	25	X7S	15uF	±10%	CL32Y156KAVVP#
9	2.80	25	X7S	22uF	±10%	CL32Y226KAVVP#
10	2.70	50	X7R	2.2uF	±10%	CL32B225KBJVP#
11	2.70	50	X7R	4.7uF	±10%	CL32B475KBJVP#
12	2.70	50	X7S	6.8uF	±10%	CL32Y685KBJVP#
13	2.70	50	X7S	10uF	±10%	CL32Y106KBJVP#
14	2.70	100	X7R	2.2uF	±10%	CL32B225KCVVP#
15	2.20	100	X7S	4.7uF	±10%	CL32Y475KCVVP#



High Temperature

url 주소 필요합니다.

Features

- Manufactured by state-of-the-art facilities, recommended for registration of ISO 9001 & IATF 16949
- Meet AEC-Q200 and JEDEC-020-D qualified products.
- RoHS compliant products.
- Operating temperature range : -55 to 150°C.
- High reliability MLCC that ensure the heating environment of Powertrain network and EV high temperature products.



- ❶ Ceramic Body
- ❷ Electrode (Ni/Cu*)
- ❸ Plating (Ni)
- ❹ Termination (Cu or Cu+Metal Epoxy)
- ❺ Plating (Sn)

* Internal Cu electrode is only applied limited products.

Applications

- Used in places with high power consumption and high operating temperature like Powertrain, Engine oil, Inverter, Lighting etc.

Size Code	Thickness Code	Dimension (mm)				EIA (inch)
		L	W	T	BW	
05	5	1.00±0.05	0.50±0.05	0.50±0.05	0.25±0.10	0402
10	8	1.60±0.10	0.80±0.10	0.80±0.10	0.30±0.20	0603
21	C	2.00±0.10	1.25±0.10	0.85±0.10	0.50+0.2/-0.3	0805
	F	2.00±0.10	1.25±0.10	1.25±0.10	0.50+0.2/-0.3	
	Q	2.00±0.15	1.25±0.15	1.25±0.15	0.50+0.2/-0.3	
	B	2.00±0.25	1.25±0.25	1.25±0.25	0.50+0.2/-0.3	
31	H	3.20±0.20	1.60±0.20	1.60±0.20	0.50±0.30	1206
	K	3.20±0.30	1.60±0.30	1.60±0.30	0.50±0.30	
32	V	3.20±0.40	2.50±0.30	2.50±0.30	0.60±0.30	1210

※ This code has only typical specifications. Please refer to individual specifications.



High Temperature

Capacitance Table (X8G/X8L/X8M)

Category	TC	Size mm (inch)	Rated Voltage (Vdc)	Capacitance									Capacitance Range			
				pF			nF			uF						
				0.1	1	10	100	1	10	100	1	10		100		
AEC-Q200	X8G (150°C)	1005 (0402)	50												4.7pF - 220pF	
		1608 (0603)	50													680pF
			100													10pF - 680pF
		2012 (0805)	50													680pF - 6.8nF
	100														820pF - 1.5nF	
	X8L (150°C)	1005 (0402)	25													33nF
			25													220nF
		1608 (0603)	50													220nF
			100													100nF
		2012 (0805)	25													470nF
			35													1uF - 4.7uF
		3216 (1206)	50													220nF - 470nF
			25													2.2uF - 10uF
	3220 (1210)	100													1uF - 2.2uF	
25														22uF		
X8M (150°C)	2012 (0805)	100													2.2uF - 4.7uF	
		25													10uF	
	3216 (1206)	4													47uF	
35														10uF		

Product Line up (X8G)

Size : 1.00 × 0.50mm (inch : 0402)

No.	Thickness Max. (mm)	Rated Voltage (Vdc)	TC	Capacitance	Capacitance Tolerance	Part Number
1	0.55	50	X8G	4.7pF	±0.25pF	CL05G4R7CB51PN#
2	0.55	50	X8G	10pF	5%	CL05G100JB51PN#
3	0.55	50	X8G	22pF	5%	CL05G220JB51PN#
4	0.55	50	X8G	47pF	5%	CL05G470JB51PN#
5	0.55	50	X8G	100pF	5%	CL05G101JB51PN#
6	0.55	50	X8G	220pF	5%	CL05G221JB51PN#



High Temperature

Size : 1.60 × 0.80mm (inch : 0603)

No.	Thickness Max. (mm)	Rated Voltage (Vdc)	TC	Capacitance	Capacitance Tolerance	Part Number
1	0.90	50	X8G	680pF	5%	CL10G681JB81PN#
2	0.90	100	X8G	10pF	5%	CL10G100JC81PN#
3	0.90	100	X8G	22pF	5%	CL10G220JC81PN#
4	0.90	100	X8G	47pF	5%	CL10G470JC81PN#
5	0.90	100	X8G	100pF	5%	CL10G101JC81PN#
6	0.90	100	X8G	220pF	5%	CL10G221JC81PN#
7	0.90	100	X8G	470pF	5%	CL10G471JC81PN#
8	0.90	100	X8G	680pF	5%	CL10G681JC81PN#

Size : 2.00 × 1.25mm (inch : 0805)

No.	Thickness Max. (mm)	Rated Voltage (Vdc)	TC	Capacitance	Capacitance Tolerance	Part Number
1	0.95	50	X8G	680pF	5%	CL21G681JBC1PN#
2	0.95	50	X8G	4.7nF	5%	CL21G472JBC1PN#
3	1.35	50	X8G	6.8nF	5%	CL21G682JBF1PN#
4	0.95	100	X8G	820pF	5%	CL21G821JCC1PN#
5	0.95	100	X8G	1.5nF	5%	CL21G152JCC1PN#



High Temperature

Product Line up (X8L/X8M)

Size : 1.00 × 0.50mm (inch : 0402)

No.	Thickness Max. (mm)	Rated Voltage (Vdc)	TC	Capacitance	Capacitance Tolerance	Part Number
1	0.55	25	X8L	33nF	±10%	CL05E333KA54PN#

Size : 1.60 × 0.80mm (inch : 0603)

No.	Thickness Max. (mm)	Rated Voltage (Vdc)	TC	Capacitance	Capacitance Tolerance	Part Number
1	0.90	25	X8L	220nF	10%	CL10E224KA84PN#
2	0.90	50	X8L	220nF	10%	CL10E224KB8VPN#
3	0.90	100	X8L	100nF	10%	CL10E104KC8VPN#

Size : 2.00 × 1.25mm (inch : 0805)

No.	Thickness Max. (mm)	Rated Voltage (Vdc)	TC	Capacitance	Capacitance Tolerance	Part Number
1	1.50	16	X8M	10μF	10%	CL21M106KOBVPN#
2	1.50	16	X8M	10μF	10%	CL21M106KOBVPJ#
3	1.35	25	X8L	470nF	10%	CL21E474KAF4PN#
4	1.45	35	X8L	1μF	10%	CL21E105KLFVPJ#
5	1.50	35	X8L	2.2μF	10%	CL21E225KLBVPN#
6	1.50	35	X8L	4.7μF	10%	CL21E475KLBVPN#
7	1.50	35	X8L	4.7μF	10%	CL21E475KLBVPJ#
8	1.40	50	X8L	220nF	10%	CL21E224KBQVPN#
9	1.45	50	X8L	470nF	10%	CL21E474KBFVPJ#

Size : 3.20 × 1.60mm (inch : 1206)

No.	Thickness Max. (mm)	Rated Voltage (Vdc)	TC	Capacitance	Capacitance Tolerance	Part Number
1	1.90	4	X8M	47μF	10%	CL31M476MRKVPN#
2	1.80	25	X8L	2.2μF	10%	CL31E225KAH4PN#
3	1.90	25	X8L	10μF	10%	CL31E106KAKVPN#
4	1.90	35	X8M	10μF	10%	CL31M106KLVN#
5	1.80	100	X8L	1μF	10%	CL31E105KCHVPN#
6	1.90	100	X8L	1μF	10%	CL31E105KCHVPJ#
7	1.80	100	X8L	2.2μF	10%	CL31E225KCHVPN#

Size : 3.20 × 2.50mm (inch : 1210)

No.	Thickness Max. (mm)	Rated Voltage (Vdc)	TC	Capacitance	Capacitance Tolerance	Part Number
1	2.80	25	X8L	22μF	10%	CL32E226KAWPN#
2	2.80	100	X8L	2.2μF	10%	CL32E225KCVN#
3	2.80	100	X8L	4.7μF	10%	CL32E475KCVN#
4	2.80	100	X8L	4.7μF	10%	CL32E475KCVPJ#

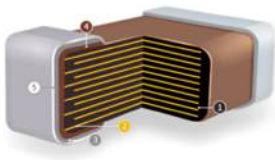


Mid/High Voltage

url 주소 필요합니다.

Features

- Manufactured by state-of-the-art facilities, recommended for registration of ISO 9001 & IATF 16949
- Meet AEC-Q200 and JEDEC-020-D qualified products.
- RoHS compliant products.
- Voltage rating of 250V, 630V and 1000V.
- 3mm bending strength guaranteed.
- Operating temperature range : -55 to 125°C.
- X7R dielectric components have BME and metal-epoxy terminations with a Ni/Sn plated overcoat.
- COG dielectric components contain BME and copper terminations with a Ni/Sn plated overcoat.



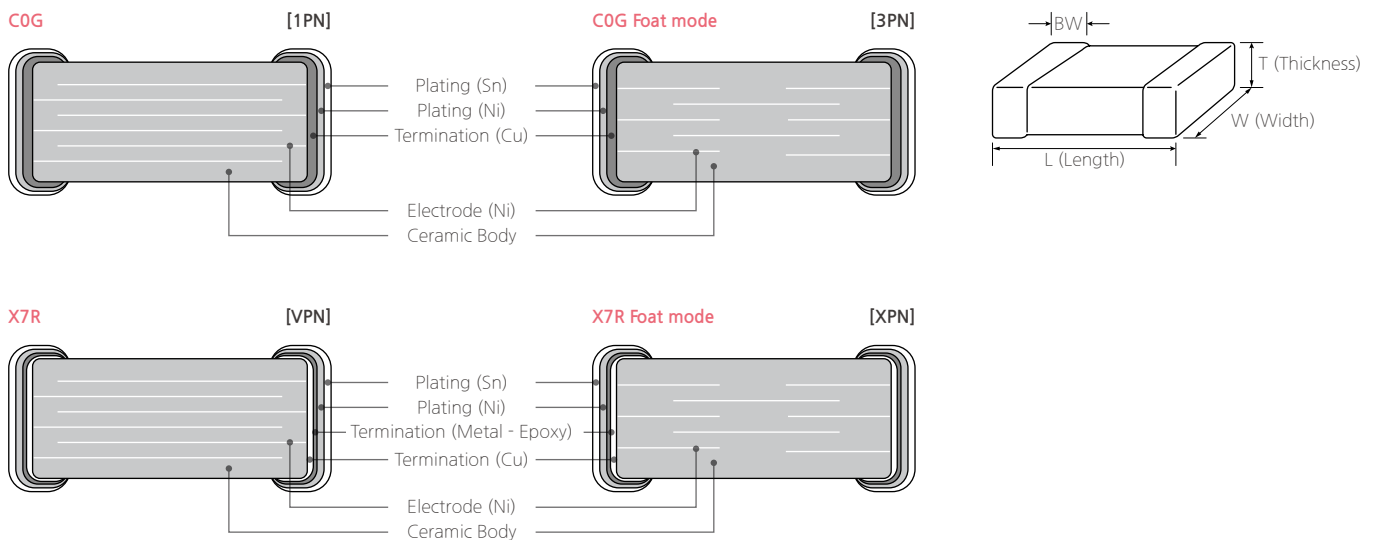
- ① Ceramic Body
- ② Electrode (Ni/Cu*)
- ③ Plating (Ni)
- ④ Termination (Cu or Cu+Metal Epoxy)
- ⑤ Plating (Sn)

* Internal Cu electrode is only applied limited products.

Applications

- Powertrain, Safety, Body & Chassis, Convenience, Infotainment, ADAS, EV

Structure and Dimensions





Mid/High Voltage

Size Code	Thickness Code	Dimension (mm)				EIA (inch)
		L	W	T	BW	
21	C	2.00±0.10	1.25±0.10	0.85±0.10	0.5±0.2/-0.3	0805
	F	2.00±0.10	1.25±0.10	1.25±0.10		
31	F	3.20±0.15	1.60±0.15	1.25±0.15	0.50±0.30	1206
	H	3.20±0.20	1.60±0.20	1.60±0.20		

Capacitance Table (COG/X7R)

Category	TC	Size mm (inch)	Rated Voltage (Vdc)	Capacitance												Capacitance Range			
				pF						nF			uF						
				0.1	1	10	100	1	10	100	1	10	100						
AEC-Q200 Mid/High Voltage	COG (125°C)	2012 (0805)	250															560pF	
			630																10pF - 560pF
		3216 (1206)	250																10pF - 4.7nF
			630																10pF - 4.7nF
	X7R (125°C)	2012 (0805)	1000																10pF - 470pF
			250																1nF - 15nF
		3216 (1206)	250																22nF - 100nF
			630																1nF - 10nF
			1000															1nF - 3.3nF	

Product Line up (COG)

Size : 2.00 × 1.25mm (inch : 0805)

No.	Thickness Max. (mm)	Rated Voltage (Vdc)	TC	Capacitance	Capacitance Tolerance	Part Number
1	1.35	250	COG	560pF	±5%	CL21C561JEF1PN#
2	0.95	630	COG	10pF	±5%	CL21C100JHC3PN#
3	0.95	630	COG	22pF	±5%	CL21C220JHC3PN#
4	0.95	630	COG	47pF	±5%	CL21C470JHC3PN#
5	0.95	630	COG	100pF	±5%	CL21C101JHC3PN#
6	0.95	630	COG	220pF	±5%	CL21C221JHC3PN#
7	0.95	630	COG	470pF	±5%	CL21C471JHC1PN#
8	1.35	630	COG	560pF	±5%	CL21C561JHF1PN#



Mid/High Voltage

Size : 3.20 × 1.60mm (inch : 1206)

No.	Thickness Max. (mm)	Rated Voltage (Vdc)	TC	Capacitance	Capacitance Tolerance	Part Number
1	1.40	250	COG	10pF	±5%	CL31C100JEF3PN#
2	1.40	250	COG	15pF	±5%	CL31C150JEF3PN#
3	1.40	250	COG	22pF	±5%	CL31C220JEF3PN#
4	1.40	250	COG	33pF	±5%	CL31C330JEF3PN#
5	1.40	250	COG	47pF	±5%	CL31C470JEF3PN#
6	1.40	250	COG	68pF	±5%	CL31C680JEF3PN#
7	1.40	250	COG	220pF	±5%	CL31C221JEF1PN#
8	1.40	250	COG	330pF	±5%	CL31C331JEF1PN#
9	1.40	250	COG	470pF	±5%	CL31C471JEF1PN#
10	1.40	250	COG	680pF	±5%	CL31C681JEH1PN#
11	1.80	250	COG	1nF	±5%	CL31C102JEH1PN#
12	1.80	250	COG	3.3nF	±5%	CL31C332JEH1PN#
13	1.80	250	COG	4.7nF	±5%	CL31C472JEH1PN#
14	1.40	630	COG	10pF	±5%	CL31C100JHF3PN#
15	1.40	630	COG	15pF	±5%	CL31C150JHF3PN#
16	1.40	630	COG	22pF	±5%	CL31C220JHF3PN#
17	1.40	630	COG	33pF	±5%	CL31C330JHF3PN#
18	1.40	630	COG	47pF	±5%	CL31C470JHF3PN#
19	1.40	630	COG	68pF	±5%	CL31C680JHF3PN#
20	1.40	630	COG	100pF	±5%	CL31C101JHF3PN#
21	1.40	630	COG	150pF	±5%	CL31C151JHF1PN#
22	1.40	630	COG	220pF	±5%	CL31C221JHF1PN#
23	1.40	630	COG	330pF	±5%	CL31C331JHF1PN#
24	1.40	630	COG	470pF	±5%	CL31C471JHF1PN#
25	1.40	630	COG	680pF	±5%	CL31C681JHF1PN#
26	1.80	630	COG	1nF	±5%	CL31C102JHH1PN#
27	1.80	630	COG	1.5nF	±5%	CL31C152JHH1PN#
28	1.80	630	COG	2.2nF	±5%	CL31C222JHH1PN#
29	1.80	630	COG	3.3nF	±5%	CL31C332JHH1PN#
30	1.80	630	COG	4.7nF	±5%	CL31C472JHH1PN#
31	1.40	1000	COG	10pF	±5%	CL31C100JIF3PN#
32	1.40	1000	COG	22pF	±5%	CL31C220JIF3PN#
33	1.40	1000	COG	47pF	±5%	CL31C470JIF3PN#
34	1.40	1000	COG	100pF	±5%	CL31C101JIF3PN#
35	1.80	1000	COG	220pF	±5%	CL31C221JIH3PN#
36	1.80	1000	COG	470pF	±5%	CL31C471JIH3PN#



Mid/High Voltage

Product Line up (X7R/X7S/X7T)

Size : 2.00 × 1.25mm (inch : 0805)

No.	Thickness Max. (mm)	Rated Voltage (Vdc)	TC	Capacitance	Capacitance Tolerance	Part Number
1	0.95	250	X7R	1nF	±10%	CL21B102KECXP#
2	0.95	250	X7R	2.2nF	±10%	CL21B222KECXP#
3	0.95	250	X7R	2.7nF	±10%	CL21B272KECXP#
4	0.95	250	X7R	4.7nF	±10%	CL21B472KECXP#
5	1.35	250	X7R	15nF	±10%	CL21B153KEFXP#

Size : 3.20 × 1.60mm (inch : 1206)

No.	Thickness Max. (mm)	Rated Voltage (Vdc)	TC	Capacitance	Capacitance Tolerance	Part Number
1	1.40	250	X7R	22nF	±10%	CL31B223KEFXP#
2	1.80	250	X7R	33nF	±10%	CL31B333KEHXP#
3	1.80	250	X7R	47nF	±10%	CL31B473KEHVP#
4	1.80	250	X7R	68nF	±10%	CL31B683KEHVP#
5	1.80	250	X7R	100nF	±10%	CL31B104KEHVP#
6	1.40	630	X7R	1.0nF	±10%	CL31B102KHFXP#
7	1.40	630	X7R	1.5nF	±10%	CL31B152KHFXP#
8	1.40	630	X7R	2.2nF	±10%	CL31B222KHFXP#
9	1.80	630	X7R	3.3nF	±10%	CL31B332KHXP#
10	1.40	630	X7R	4.7nF	±10%	CL31B472KHFXP#
11	1.40	630	X7R	6.8nF	±10%	CL31B682KHFXP#
12	1.40	630	X7R	10nF	±10%	CL31B103KHFXP#
13	1.40	1000	X7R	1nF	±10%	CL31B102KIFXP#
14	1.40	1000	X7R	2.2nF	±10%	CL31B222KIFXP#
15	1.80	1000	X7R	3.3nF	±10%	CL31B332KIHP#

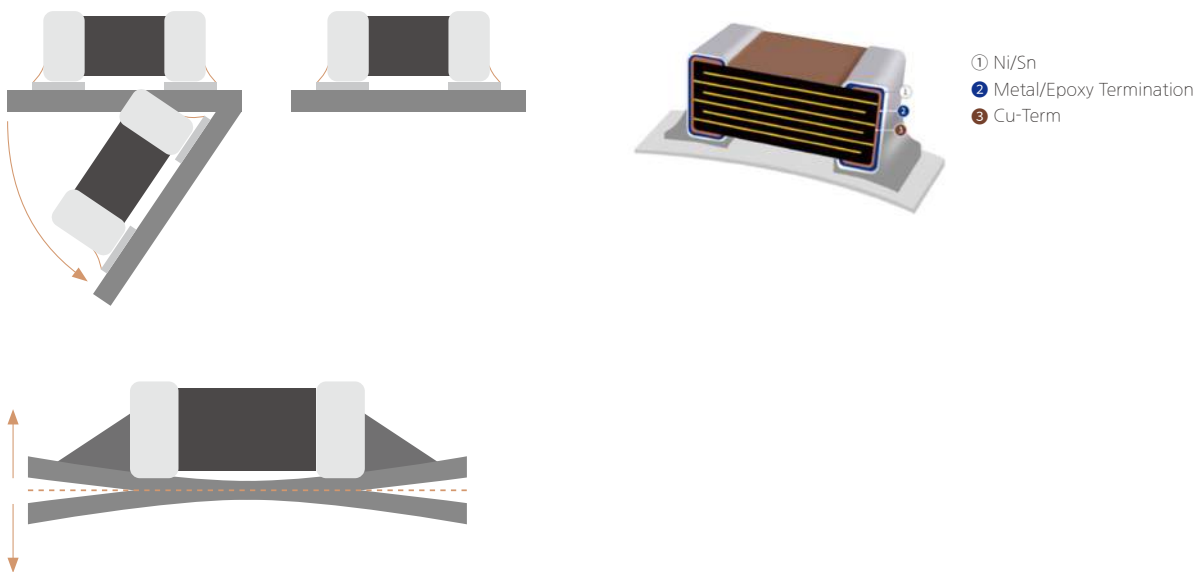


High Bending Strength

High Bending Strength

Features

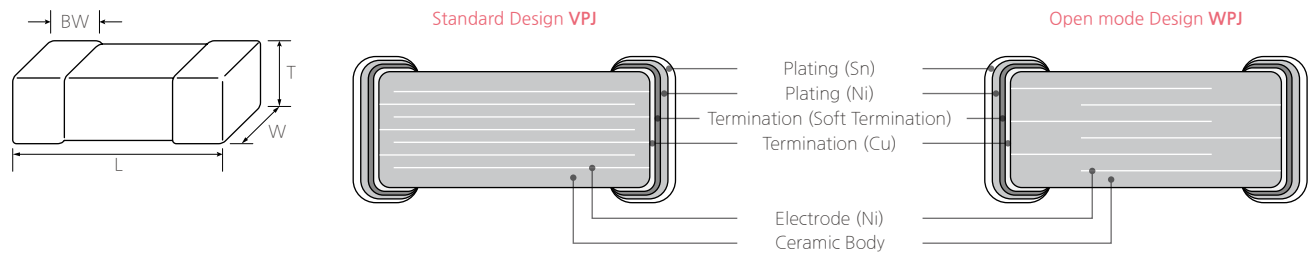
- Manufactured by state-of-the-art facilities, recommended for registration of ISO 9001 & IATF 16949
- AEC-Q200 and JEDEC-020-D qualified products.
- RoHS compliant products.
- X7*/X8* dielectric components have BME and metal-epoxy terminations with a Ni/Sn plated overcoat.
- 5mm bending strength guaranteed.
- Strong thermo-mechanical properties.



Applications

- Critical circuits and battery line circuits.
(Cracking caused by flexing stress after board mounting is minimized)

Structure and Dimensions





High Bending Strength

Size Code	Thickness Code	Dimension (mm)				EIA (inch)
		L	W	T	BW	
05	5	1.00±0.10	0.50±0.05	0.50±0.05	0.25±0.10	0402
	6	1.00±0.20	0.50±0.20	0.50±0.20	0.25±0.10	
10	8	1.60±0.20	0.80±0.10	0.80±0.10	0.30±0.20	0603
	9	1.60±0.30	0.80±0.20	0.80±0.20	0.30±0.20	
21	C	2.00±0.30	1.25±0.20	0.85±0.10	0.5+0.2/-0.3	0805
	F	2.00±0.30	1.25±0.20	1.25±0.20	0.5+0.2/-0.3	
	Q	2.00±0.35	1.25±0.25	1.25±0.25	0.5+0.2/-0.3	
	Y	2.00±0.20	1.25±0.20	1.25+0.20/-0.15	0.5+0.2/-0.3	
31	B	2.00±0.25	1.25±0.25	1.25+0.25/-0.20	0.5+0.2/-0.3	1206
	H	3.20±0.30	1.60±0.30	1.60±0.30	0.6+0.4/-0.3	
32	K	¹ 3.20±0.30	1.60±0.30	1.60+0.30/-0.25	0.6+0.4/-0.3	1210
	I	3.20±0.40	2.50±0.30	2.00±0.30	0.6+0.4/-0.3	
32	J	3.20±0.40	2.50±0.30	2.50±0.30	0.6+0.4/-0.3	1210
	V	3.20±0.40	2.50±0.35/-0.30	2.50+0.35/-0.30	0.6+0.4/-0.3	

* ¹ Size exception : CL31Y106KBKVPJ# L 3.20±0.30, W 1.60±0.30, T 1.60±0.30

Capacitance Table (X7R/X7S/X8L/X8M)

Category	TC	Size mm (inch)	Rated Voltage (Vdc)	Capacitance									Capacitance Range												
				pF			nF			uF															
				0.1	1	10	100	1	10	100	1	10		100											
AEC-Q200 Soft Termination (5mm)	X7R (125°C)	1005 (0402)	16																				100nF		
			25																					10nF - 220nF	
			50																						10nF
		1608 (0603)	16																						470nF - 1uF
			25																						100nF - 1uF
			35																						1uF
			50																						1uF
		2012 (0805)	100																						1nF - 100nF
			6.3																						4.7uF - 10uF
			10																						10uF
			16																						1uF - 4.7uF
			25																						1uF - 2.2uF
		3216 (1206)	35																						2.2uF
			50																						10nF - 2.2uF
			100																						1nF - 470nF
			6.3																						22uF
			10																						22uF
		3225 (1210)	16																						4.7uF - 10uF
			25																						4.7uF - 10uF
			50																						220nF - 4.7uF
			100																						100nF - 1uF
		3225 (1210)	6.3																						47uF
			10																						22uF
			16																						22uF
25																							10uF		
50																							1uF - 4.7uF		
100																						1uF - 2.2uF			



High Bending Strength

Category	TC	Size mm (inch)	Rated Voltage (Vdc)	Capacitance									Capacitance Range														
				pF			nF			uF																	
				0.1	1	10	100	1	10	100	1	10		100													
AEC-Q200 Soft Termination (5mm)	X7S (125°C)	1005 (0402)	10																				330nF - 1.0uF				
			16																						220nF		
		1608 (0603)	6.3																							2.2uF	
			2012 (0805)	6.3																							10uF
				10																							4.7uF - 10uF
				25																							4.7uF - 10uF
				35																							4.7uF
			50																							2.2uF - 4.7uF	
		100																								150nF - 1uF	
		3216 (1206)	25																								10uF
			35																								10uF
			50																								10uF
	100																									2.2uF	
	3225 (1210)	6.3																								47uF	
		10																								47uF	
		25																								22uF	
		50																								10uF	
	X7T (125°C)	1608 (0603)	4																							10uF	
			6.3																							10uF	
		2012 (0805)	4																								22uF
			6.3																								22uF
		3216 (1206)	4																								47uF
			6.3																								47uF
	3225 (1210)	2.5																								100uF	
4																									100uF		
X8L (150°C)	2012 (0805)	35																							1uF - 4.7uF		
		50																							470nF		
	3216 (1206)	100																							1uF		
		100																							4.7uF		
	3225 (1210)	100																								100uF	
		100																								100uF	
X8M (150°C)	2012 (0805)	16																							10uF		

Product Line up (X7R/X7S/X8L/X8M)

Size : 1.00 × 0.50mm (inch : 0402)

No.	Thickness Max. (mm)	Rated Voltage (Vdc)	TC	Capacitance	Capacitance Tolerance	Part Number
1	0.55	10	X7S	330nF	±10%	CL05Y334KP5VPJ#
2	0.55	10	X7S	470nF	±10%	CL05Y474KP5VPJ#
3	0.70	10	X7S	680nF	±10%	CL05Y684KP6VPJ#
4	0.70	10	X7S	1uF	±10%	CL05Y105KP6VPJ#
5	0.55	16	X7R	100nF	±10%	CL05B104KO5VPJ#
6	0.55	16	X7S	220nF	±10%	CL05Y224KO5VPJ#
7	0.55	25	X7R	10nF	±10%	CL05B103KA5VPJ#
8	0.55	25	X7R	220nF	±10%	CL05B224KA5VPJ#
9	0.55	50	X7R	10nF	±10%	CL05B103KB5VPJ#



High Bending Strength

Size : 1.60 × 0.80mm (inch : 0603)

No.	Thickness Max. (mm)	Rated Voltage (Vdc)	TC	Capacitance	Capacitance Tolerance	Part Number
1	1.00	4	X7T	10uF	±20%	CL10Z106MR9VPJ#
2	0.90	6.3	X7S	2.2uF	±10%	CL10Y225KQ8VPJ#
3	1.00	6.3	X7T	10uF	±20%	CL10Z106MQ9VPJ#
4	0.90	16	X7R	470nF	±10%	CL10B474K08VPJ#
5	0.90	16	X7R	1uF	±10%	CL10B105K08VPJ#
6	0.90	25	X7R	100nF	±10%	CL10B104KA8VPJ#
7	0.90	25	X7R	470nF	±10%	CL10B474KA8VPJ#
8	0.90	25	X7R	1uF	±10%	CL10B105KA8VPJ#
9	1.00	35	X7R	1uF	±10%	CL10B105KL9VPJ#
10	0.90	50	X7R	1nF	±10%	CL10B102KB8WPJ#
11	0.90	50	X7R	1.5nF	±10%	CL10B152KB8WPJ#
12	0.90	50	X7R	2.2nF	±10%	CL10B222KB8WPJ#
13	0.90	50	X7R	3.3nF	±10%	CL10B332KB8WPJ#
14	0.90	50	X7R	4.7nF	±10%	CL10B472KB8WPJ#
15	0.90	50	X7R	6.8nF	±10%	CL10B682KB8WPJ#
16	0.90	50	X7R	10nF	±10%	CL10B103KB8WPJ#
17	0.90	50	X7R	22nF	±10%	CL10B223KB8VPJ#
18	0.90	50	X7R	33nF	±10%	CL10B333KB8VPJ#
19	0.90	50	X7R	47nF	±10%	CL10B473KB8VPJ#
20	0.90	50	X7R	68nF	±10%	CL10B683KB8VPJ#
21	0.90	50	X7R	100nF	±10%	CL10B104KB8VPJ#
22	0.90	50	X7R	220nF	±10%	CL10B224KB8VPJ#
23	0.90	50	X7R	330nF	±10%	CL10B334KB8VPJ#
24	0.90	50	X7R	470nF	±10%	CL10B474KB8VPJ#
25	1.00	50	X7R	1uF	±10%	CL10B105KB9VPJ#
26	0.90	100	X7R	1nF	±10%	CL10B102KC8WPJ#
27	0.90	100	X7R	1.5nF	±10%	CL10B152KC8WPJ#
28	0.90	100	X7R	2.2nF	±10%	CL10B222KC8WPJ#
29	0.90	100	X7R	3.3nF	±10%	CL10B332KC8WPJ#
30	0.90	100	X7R	4.7nF	±10%	CL10B472KC8WPJ#
31	0.90	100	X7R	6.8nF	±10%	CL10B682KC8WPJ#
32	0.90	100	X7R	10nF	±10%	CL10B103KC8WPJ#
33	0.90	100	X7R	15nF	±10%	CL10B153KC8VPJ#
34	0.90	100	X7R	22nF	±10%	CL10B223KC8VPJ#
35	0.90	100	X7R	33nF	±10%	CL10B333KC8VPJ#
36	0.90	100	X7R	47nF	±10%	CL10B473KC8VPJ#
37	0.90	100	X7R	68nF	±10%	CL10B683KC8VPJ#
38	0.90	100	X7R	100nF	±10%	CL10B104KC8VPJ#



High Bending Strength

Size : 2.00 × 1.25mm (inch : 0805)

No.	Thickness Max. (mm)	Rated Voltage (Vdc)	TC	Capacitance	Capacitance Tolerance	Part Number
1	1.45	4	X7T	22uF	±20%	CL21Z226MRYVPJ#
2	1.50	6.3	X7R	4.7uF	±10%	CL21B475KQQVPJ#
3	1.45	6.3	X7R	10uF	±10%	CL21B106KQY6PJ#
4	1.45	6.3	X7T	22uF	±20%	CL21Z226MQYVPJ#
5	1.50	10	X7S	4.7uF	±10%	CL21Y475KPBVPJ#
6	1.45	10	X7R	10uF	±10%	CL21B106KPY6PJ#
7	1.45	16	X7R	1uF	±10%	CL21B105KOFVPJ#
8	1.50	16	X7R	2.2uF	±10%	CL21B225KQQVPJ#
9	1.50	16	X7R	4.7uF	±10%	CL21B475KQQVPJ#
10	1.50	16	X8M	10uF	±10%	CL21M106KOBVPJ#
11	1.45	25	X7R	1uF	±10%	CL21B105KAFVPJ#
12	1.45	25	X7R	2.2uF	±10%	CL21B225KAFVPJ#
13	1.50	25	X7S	4.7uF	±10%	CL21Y475KABVPJ#
14	1.50	25	X7S	10uF	±10%	CL21Y106KABVPJ#
15	1.45	35	X8L	1uF	±10%	CL21E105KLFVPJ#
16	1.45	35	X7R	2.2uF	±10%	CL21B225KLYVPJ#
17	1.50	35	X8L	4.7uF	±10%	CL21E475KLBVPJ#
18	1.50	35	X7S	4.7uF	±10%	CL21Y475KLBVPJ#
19	0.95	50	X7R	10nF	±10%	CL21B103KBCWVPJ#
20	1.45	50	X7R	22nF	±10%	CL21B223KBFWVPJ#
21	1.45	50	X7R	100nF	±10%	CL21B104KBFWVPJ#
22	1.45	50	X7R	150nF	±10%	CL21B154KBFVPJ#
23	1.45	50	X7R	220nF	±10%	CL21B224KBFVPJ#
24	1.45	50	X7R	330nF	±10%	CL21B334KBFVPJ#
25	1.45	50	X7R	470nF	±10%	CL21B474KBFVPJ#
26	1.45	50	X8L	470nF	±10%	CL21E474KBFVPJ#
27	1.45	50	X7R	1uF	±10%	CL21B105KBFVPJ#
28	1.45	50	X7R	2.2uF	±10%	CL21B225KBYVPJ#
29	1.50	50	X7S	4.7uF	±10%	CL21Y475KBBVPJ#
30	0.95	100	X7R	1nF	±10%	CL21B102KCCWVPJ#
31	0.95	100	X7R	10nF	±10%	CL21B103KCCWVPJ#
32	1.45	100	X7R	22nF	±10%	CL21B223KCFWVPJ#
33	1.45	100	X7R	47nF	±10%	CL21B473KCFWVPJ#
34	1.45	100	X7R	100nF	±10%	CL21B104KCFWVPJ#
35	1.45	100	X7R	150nF	±10%	CL21B154KCFVPJ#
36	1.45	100	X7R	470nF	±10%	CL21B474KCFVPJ#
37	1.45	100	X7S	1uF	±10%	CL21Y105KCFVPJ#



High Bending Strength

Size : 3.20 × 1.60mm (inch : 1206)

No.	Thickness Max. (mm)	Rated Voltage (Vdc)	TC	Capacitance	Capacitance Tolerance	Part Number
1	1.90	4	X7T	47uF	±20%	CL31Z476MRKVPJ#
2	1.90	6.3	X7R	22uF	±10%	CL31B226KQKVPJ#
3	1.90	6.3	X7T	47uF	±20%	CL31Z476MQKVPJ#
4	1.90	10	X7R	22uF	±10%	CL31B226KPKVPJ#
5	1.90	16	X7R	4.7uF	±10%	CL31B475KOHVPJ#
6	1.90	16	X7R	10uF	±10%	CL31B106KOHVPJ#
7	1.90	25	X7R	4.7uF	±10%	CL31B475KAHVPJ#
8	1.90	25	X7R	10uF	±10%	CL31B106KAHVPJ#
9	1.90	35	X7S	10uF	±10%	CL31Y106KLKVPJ#
10	1.90	50	X7R	220nF	±10%	CL31B224KBHVPJ#
11	1.90	50	X7R	470nF	±10%	CL31B474KBHVPJ#
12	1.90	50	X7R	1uF	±10%	CL31B105KBHVPJ#
13	1.90	50	X7R	2.2uF	±10%	CL31B225KBHVPJ#
14	1.90	50	X7R	4.7uF	±10%	CL31B475KBHVPJ#
15	1.90	50	X7S	10uF	±10%	CL31Y106KBKVPJ#
16	1.90	100	X7R	100nF	±10%	CL31B104KCHVPJ#
17	1.90	100	X7R	220nF	±10%	CL31B224KCHVPJ#
18	1.90	100	X7R	1uF	±10%	CL31B105KCHVPJ#
19	1.90	100	X8L	1uF	±10%	CL31E105KCHVPJ#
20	1.90	100	X7S	2.2uF	±10%	CL31Y225KCHVPJ#

Size : 3.20 × 2.50mm (inch : 1210)

No.	Thickness Max. (mm)	Rated Voltage (Vdc)	TC	Capacitance	Capacitance Tolerance	Part Number
1	2.85	2.5	X7T	100uF	±20%	CL32Z107MSV6PJ#
2	2.85	4	X7T	100uF	±20%	CL32Z107MRV6PJ#
3	2.85	6.3	X7R	47uF	±10%	CL32B476KQVVPJ#
4	2.85	6.3	X7T	100uF	±20%	CL32Z107MQV6PJ#
5	2.80	10	X7R	22uF	±10%	CL32B226KPJVPJ#
6	2.85	10	X7S	47uF	±20%	CL32Y476MPVVPJ#
7	2.80	16	X7R	22uF	±10%	CL32B226KOJVPJ#
8	2.80	25	X7R	10uF	±10%	CL32B106KAJVPJ#
9	2.85	25	X7S	22uF	±10%	CL32Y226KAVVPJ#
10	2.80	50	X7R	1uF	±10%	CL32B105KBJVPJ#
11	2.80	50	X7R	4.7uF	±10%	CL32B475KBJVPJ#
12	2.80	50	X7S	10uF	±10%	CL32Y106KBJVPJ#
13	2.80	100	X7R	1uF	±10%	CL32B105KCKJVPJ#
14	2.80	100	X7R	2.2uF	±10%	CL32B225KCKJVPJ#
15	2.30	100	X8L	4.7uF	±10%	CL32E475KCIJVPJ#
16	2.30	100	X7S	4.7uF	±10%	CL32Y475KCIJVPJ#

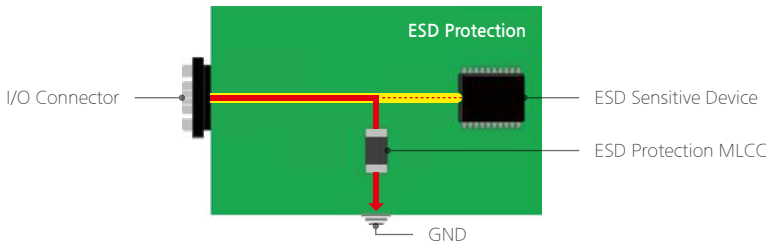


ESD Protection

ESD

Features

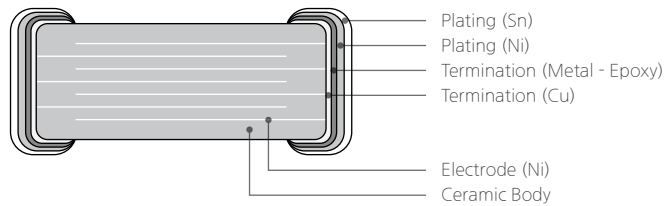
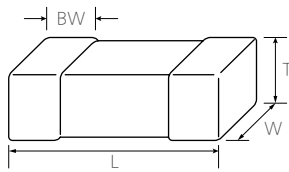
- Compliance with the IEC 61000-4-2 standard for ESD immunity.
- Enhanced DC-Bias



Applications

- Input and output sections in a wide range of automotive electronics.

Structure and Dimensions



Size Code	Dimension (mm)				EIA (inch)
	L	W	T	BW	
10	1.70±0.10	0.90±0.10	0.90±0.10	0.30±0.20	0603

Capacitance Table (COG/X8G)

Category	TC	Size mm (inch)	Rated Voltage (Vdc)	Capacitance									Capacitance Range							
				pF			nF			uF										
				0.1	1	10	100	1	10	100	1	10		100						
AEC-Q200 ESD Protection	X7R (125°C)	1608 (0603)	100																	1nF - 10nF

Product Line up (X7R)

Size : 1.60 × 0.80mm (inch : 0603)

No.	Thickness Max. (mm)	Rated Voltage (Vdc)	TC	Capacitance	Capacitance Tolerance	Part Number	ESD Level
1	1.00	100	X7R	1nF	±10%	CL10B102KC84PE#	20kV
2	1.00	100	X7R	1.5nF	±10%	CL10B152KC84PE#	20kV
3	1.00	100	X7R	2.2nF	±10%	CL10B222KC84PE#	20kV
4	1.00	100	X7R	3.3nF	±10%	CL10B332KC84PE#	20kV
5	1.00	100	X7R	4.7nF	±10%	CL10B472KC84PE#	20kV
6	1.00	100	X7R	6.8nF	±10%	CL10B682KC84PE#	20kV
7	1.00	100	X7R	10nF	±10%	CL10B103KC84PE#	22kV

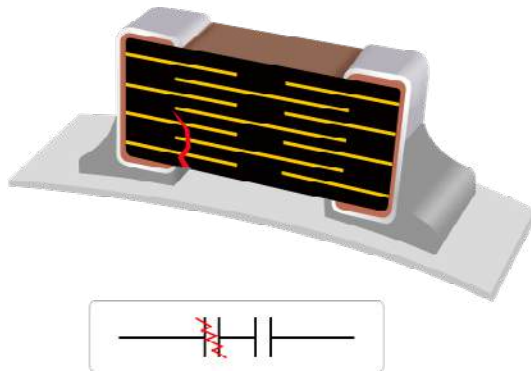


Fail Safe (Soft Termination 5mm)

Fail Safe

Features

- Designed to prevent circuit malfunction in the case of an internal short, caused by a crack which occurs in a MLCC product.
- This also guarantees 5mm bending and prevents defects caused by PCB deformation.
- This product has the highest degree of safety among all MLCCs.
 - Series(Float) Design : Designed to operate like two MLCCs in a series
Even if a defect such as a crack occurs on one side, the circuit can be protected on the other side
 - 5mm Bending Guarantee : Guarantees no bending cracks for board flex 5mm variants



Applications

- All automotive application include 12V battery line, circuit near hole and connector.

Capacitance Table

Category	TC	Size mm (inch)	Rated Voltage (Vdc)	Capacitance									Capacitance Range		
				pF			nF			uF					
				0.1	1	10	100	1	10	100	1	10		100	
AEC-Q200 Fail Safe/ Soft Termination (5mm)	X7R (125°C)	1608 (0603)	100												10nF - 22nF
			50												100nF
		2012 (0805)	100												

Product Line up (X7R)

Size : 1.60 × 0.80mm (inch : 0603)

No.	Thickness Max. (mm)	Rated Voltage (Vdc)	TC	Capacitance	Capacitance Tolerance	Part Number
1	0.90	100	X7R	10nF	±10%	CL10B103KC8XPJ#
2	0.90	100	X7R	15nF	±10%	CL10B153KC8XPJ#
3	0.90	100	X7R	22nF	±10%	CL10B223KC8XPJ#

Size : 2.00 × 1.25mm (inch : 0805)

No.	Thickness Max. (mm)	Rated Voltage (Vdc)	TC	Capacitance	Capacitance Tolerance	Part Number
1	1.45	50	X7R	100nF	±10%	CL21B104KBFXPJ#
2	1.45	100	X7R	68nF	±10%	CL21B683KCFXPJ#
3	1.45	100	X7R	100nF	±10%	CL21B104KCFXPJ#

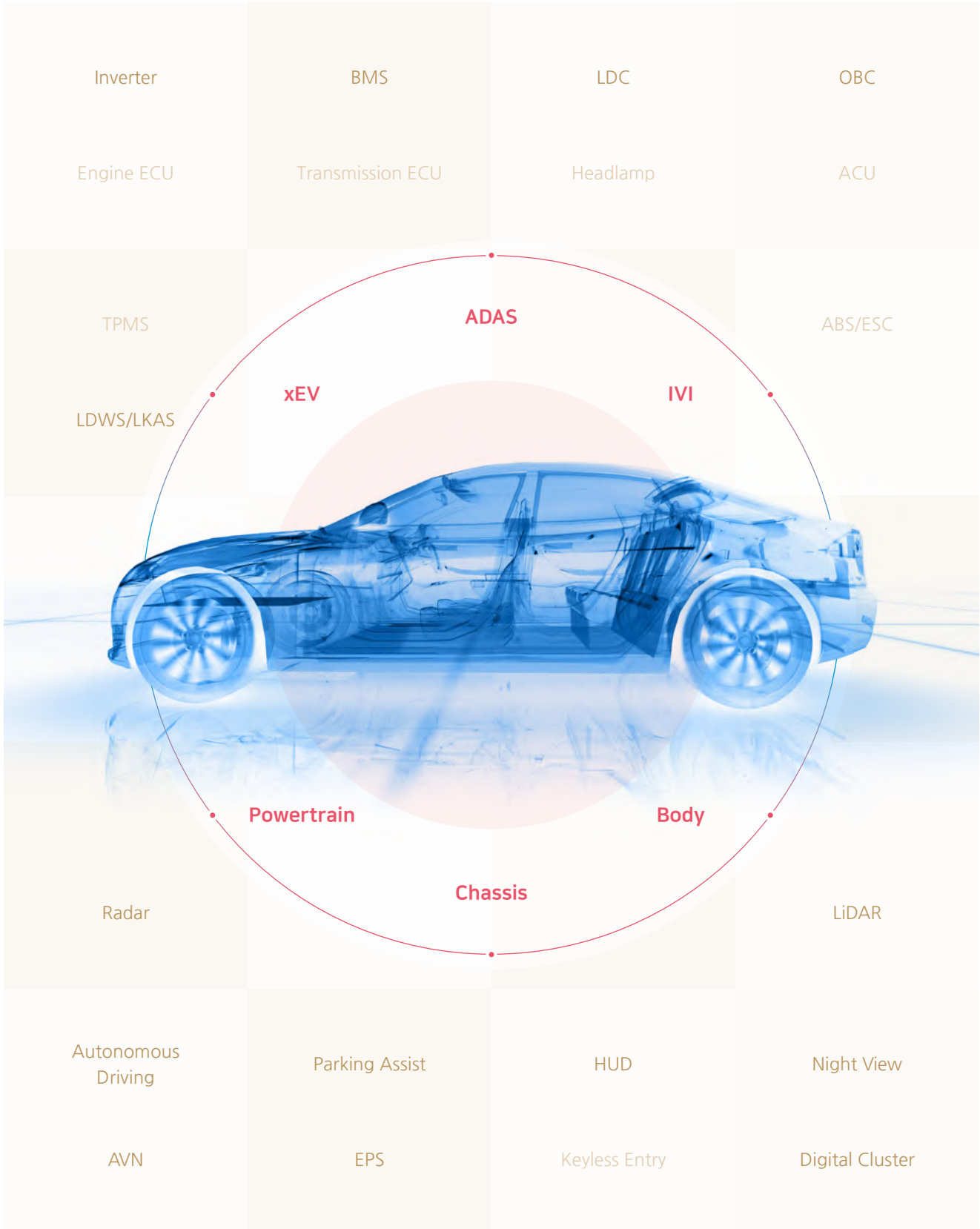


Part Numbering
General Capacitors
High Temperature
Mid/High Voltage
High Bending Strength

ESD Protection
Fail Safe
► **Application Guide**
Reliability Test Conditions

Packaging Specifications
Caution/Notice
Components Sales Offices/
Manufacturing Sites

Application Guide

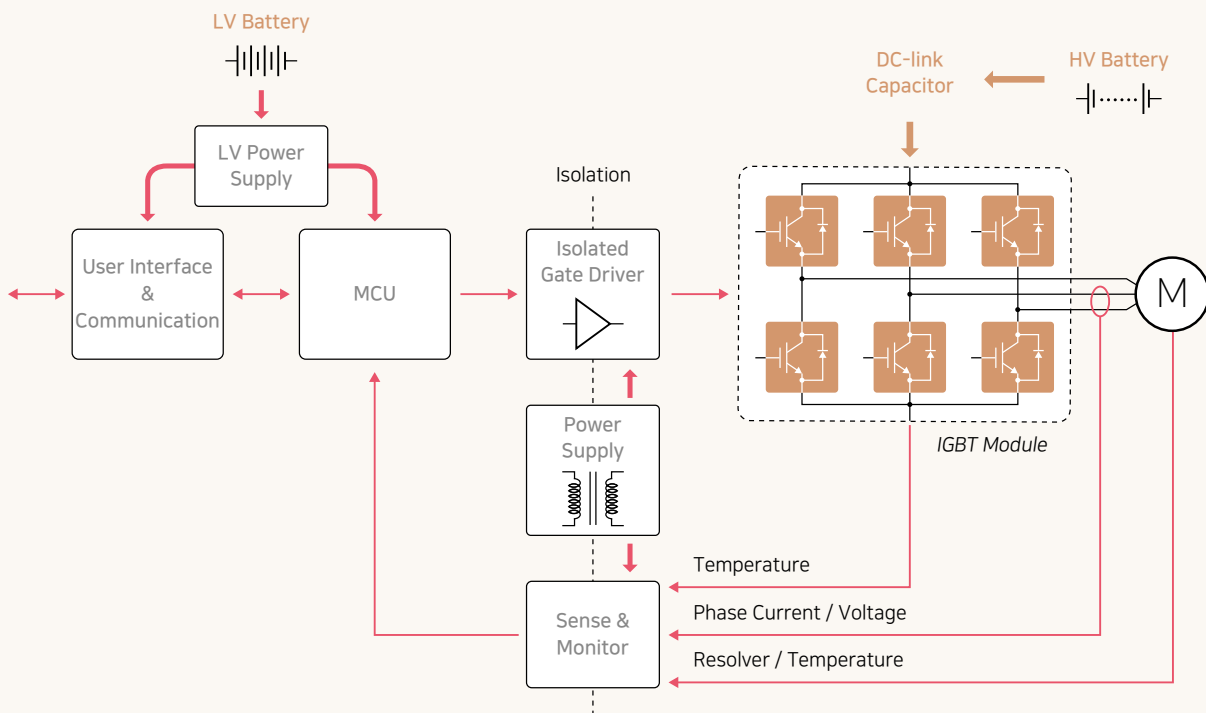
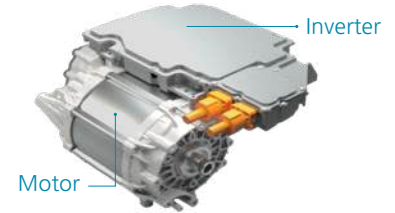









Application Guide

EV Main Inverter

A Main Inverter provides energy to the vehicle's driving motor. The main inverter directly uses a high voltage battery power through a DC-link capacitor and performs improvement of the fuel economy of the vehicle by absorbing energy through a regenerative braking function.



Normal (All Location)	Crack Mitigation (12V Battery Line, Near Hole & Connector)	ESD Strengthen (Connector I/F)
X7* Normal (Epoxy) PN Series 	Soft Termination *PJ Series 	ESD Strengthen PE Series 
COG Normal PN Series 	Fail Safe/Soft Term. XPJ Series 	

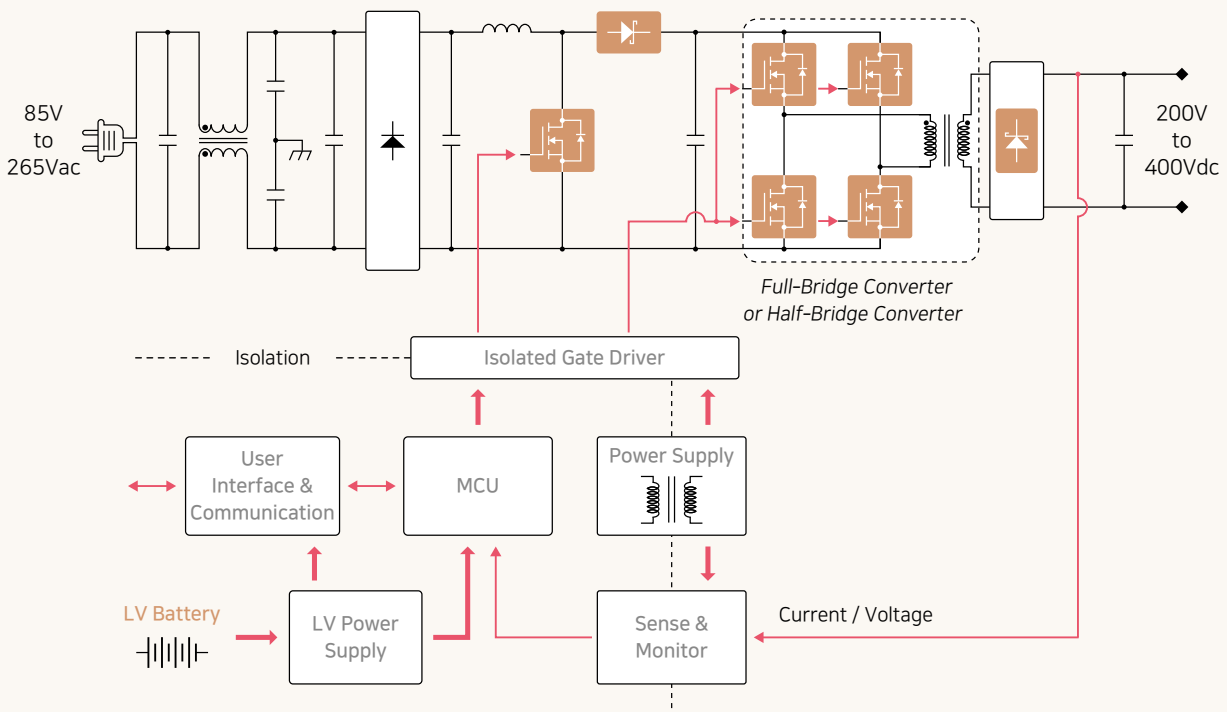


Application Guide

EV

On Board Charger

An On-Board Charger (OBC) is a built-in system to charge a high voltage battery from AC power outside the car. OBC allows a vehicle for a standard charge at a charging station as well as at home.



Normal
(All Location)

X7* Normal (Epoxy)
PN Series



COG Normal
PN Series



Crack Mitigation
(12V Battery Line,
Near Hole & Connector)

Soft Termination
*PJ Series



Fail Safe/Soft Term.
XPJ Series



ESD Strengthen
(Connector I/F)

ESD Strengthen
PE Series

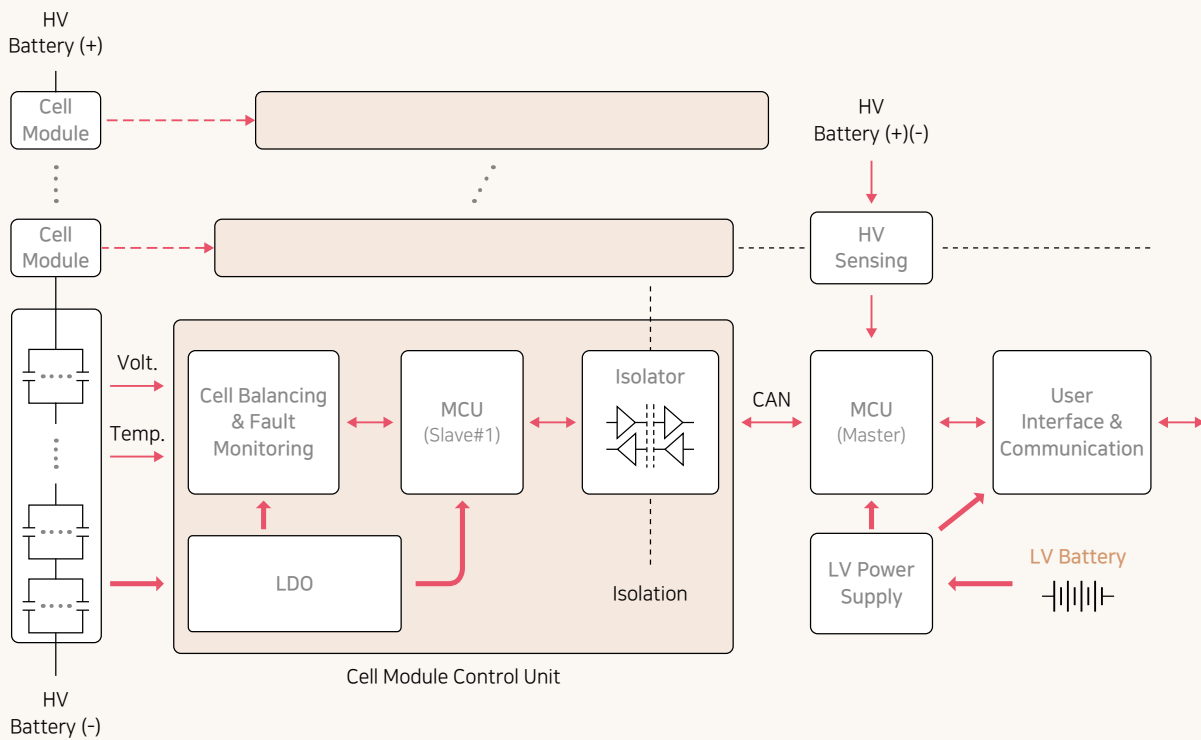




Application Guide

EV Battery Management System

A Battery Management System (BMS) is the control system that manages a high voltage battery built with numerous cells, monitoring and controlling temperatures and voltage of the each cell.



Normal (All Location)	Crack Mitigation (12V Battery Line, Near Hole & Connector)	ESD Strengthen (Connector I/F)
X7* Normal (Epoxy) PN Series	Soft Termination *PJ Series	ESD Strengthen PE Series
COG Normal PN Series	Fail Safe/Soft Term. XPJ Series	

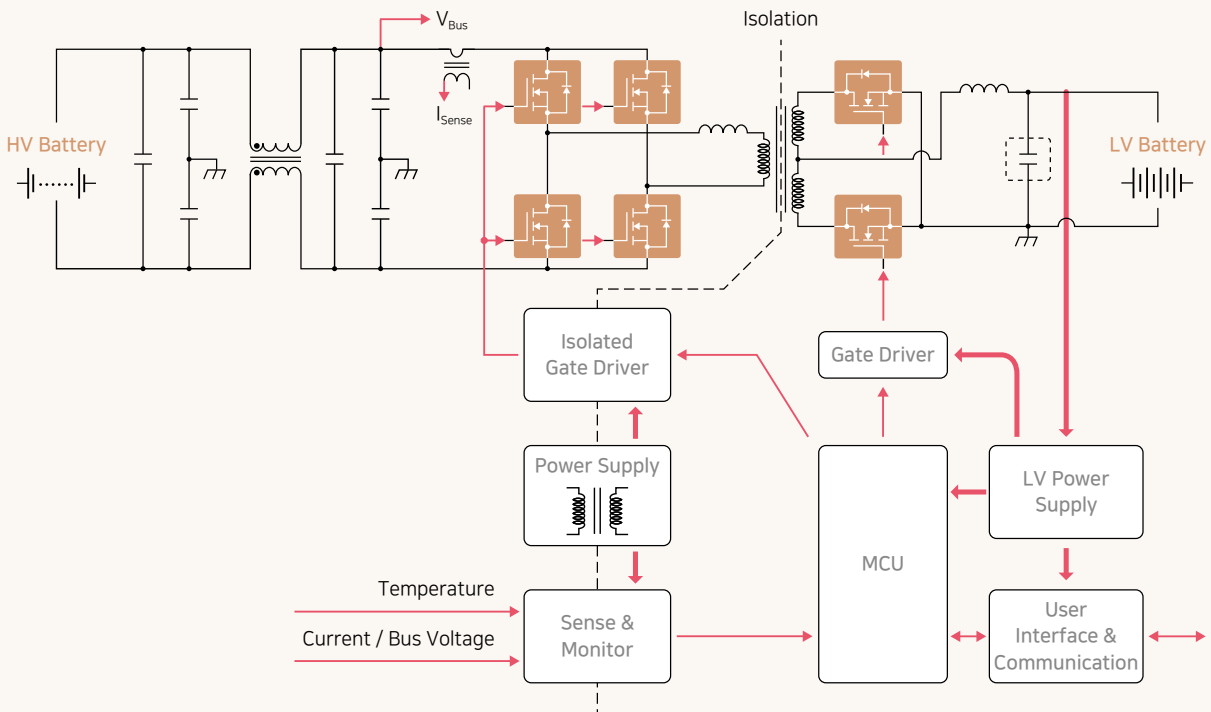


Application Guide

EV

DC-DC Converter (High Voltage to 12V)

A DC-DC Converter converts a high voltage battery into a 12V battery. As there is no engine using fossil fuels, the DC-DC Converter plays a role in charging a 12V battery as an alternator used the engine to charge a 12V battery.



Normal
(All Location)

X7* Normal (Epoxy)
PN Series



COG Normal
PN Series



Crack Mitigation
(12V Battery Line,
Near Hole & Connector)

Soft Termination
*PJ Series



Fail Safe/Soft Term.
XPJ Series



ESD Strengthen
(Connector I/F)

ESD Strengthen
PE Series

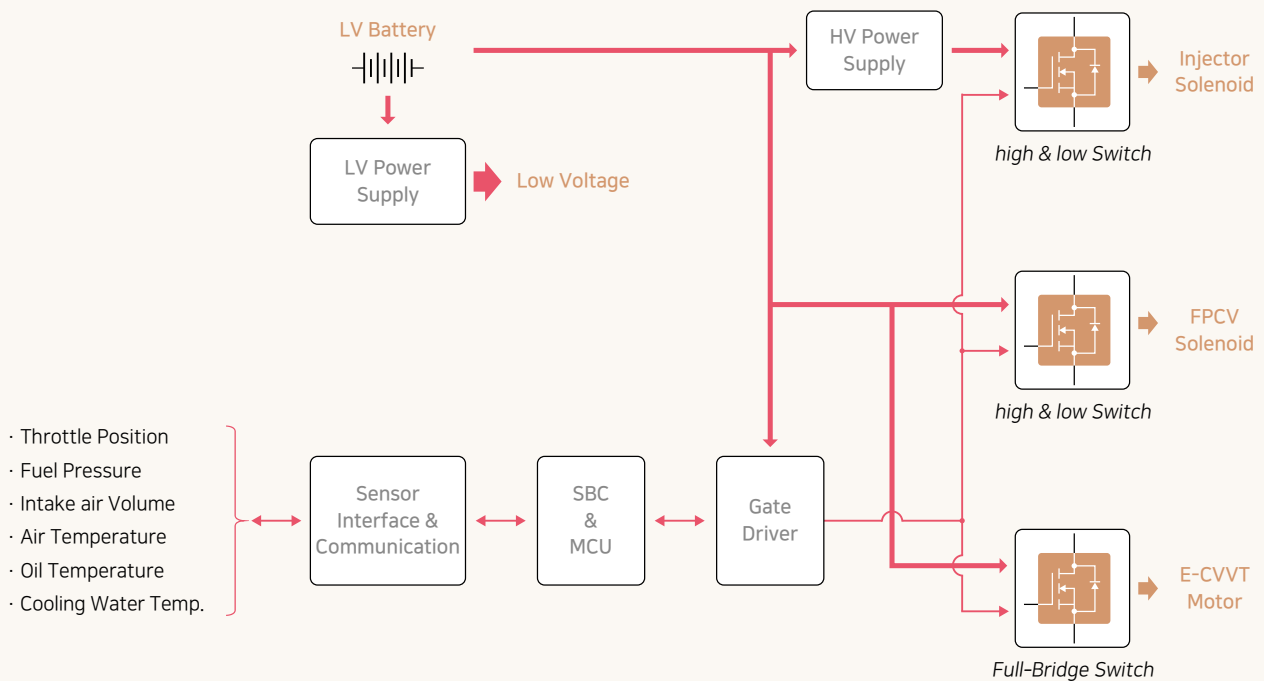
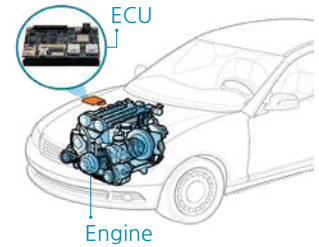




Application Guide

Powertrain Engine Control Unit

An Engine Control Unit (ECU) is a type of electronic control unit that provides the power with a series of actuators on an engine.
 It is becoming increasingly significant to reduce gas emission and improve fuel efficiency by the stricter global environmental regulation. Regarding the situation, ECU collects data from various sensors on an engine, controlling its components in the unit.



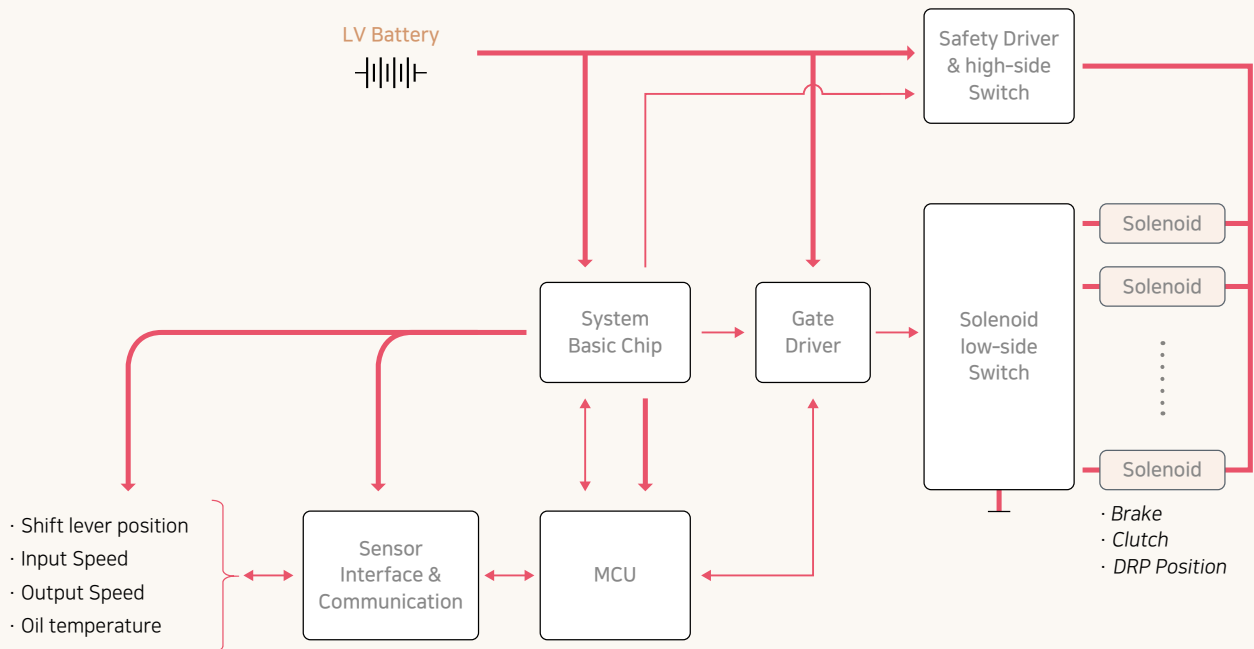
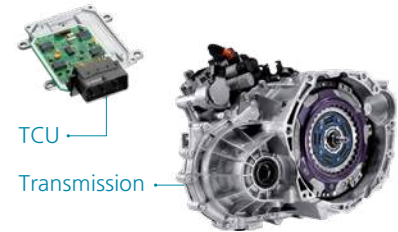
Normal (All Location)	Crack Mitigation (12V Battery Line, Near Hole & Connector)	ESD Strengthen (Connector I/F)	High Temperature (near Power Semiconductor)
X7* Normal (Epoxy) PN Series	Soft Termination *PJ Series	ESD Strengthen PE Series	X8* Normal PN Series
COG Normal PN Series	Fail Safe/Soft Term. XPJ Series		



Application Guide

Powertrain Transmission Control Unit

A transmission is an automatic device that transmits output torque from a crank shaft on an engine to wheels. TCU controls determines the ratio of a transmission, controlling its unit to transmit the ratio. As TCU is getting closer to the transmission to reduce price and weight for the transmission system, an operating temperature of TCU is getting increasing.



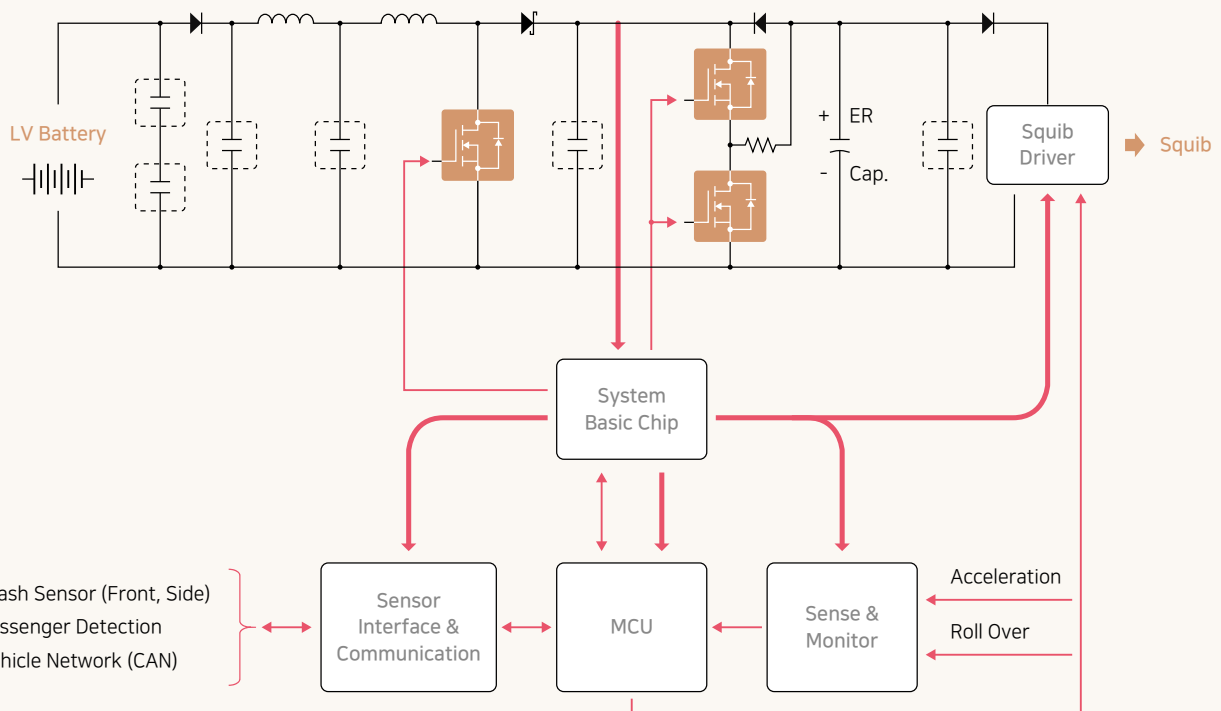
Normal (All Location)	Crack Mitigation (12V Battery Line, Near Hole & Connector)	ESD Strengthen (Connector I/F)	High Temperature (near Power Semiconductor)
X7* Normal (Epoxy) PN Series	Soft Termination *PJ Series	ESD Strengthen PE Series	X8* Normal PN Series
COG Normal PN Series	Fail Safe/Soft Term. XPJ Series		



Application Guide

Chassis Airbag Control Unit

An Airbag Control Unit (ACU) determines whether to run restraint systems according to the level of an accident being detected by an Airbag Control Unit. Acceleration sensor and speed sensor are embedded in an airbag system.



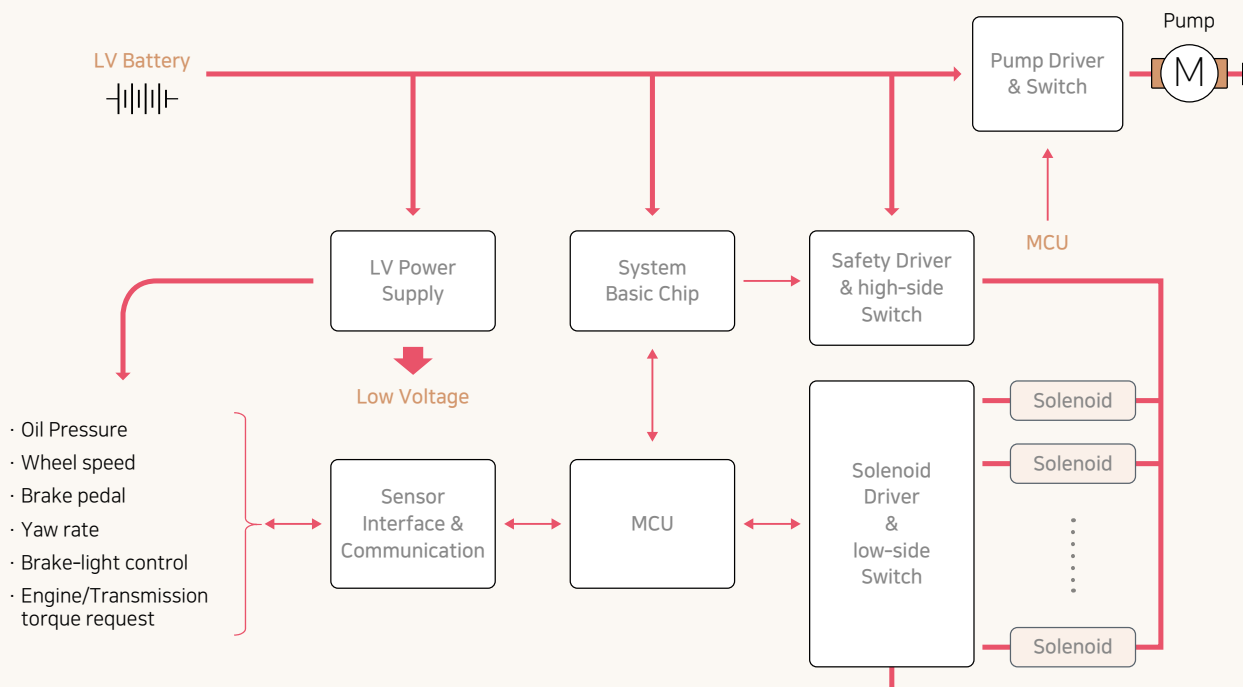
Normal (All Location)	Crack Mitigation (12V Battery Line, Near Hole & Connector)	ESD Strengthen (Connector I/F)
X7* Normal (Epoxy) PN Series	Soft Termination *PJ Series	ESD Strengthen PE Series
COG Normal PN Series	Fail Safe/Soft Term. XPJ Series	



Application Guide

Chassis Brake Actuation Unit

A Brake Actuation Unit is an integrated control system including functions of an integrated active hydraulic booster and Electronic Stability Control (ESC). BAU provides hydraulic pressure to brake calipers to control braking force on the vehicle.



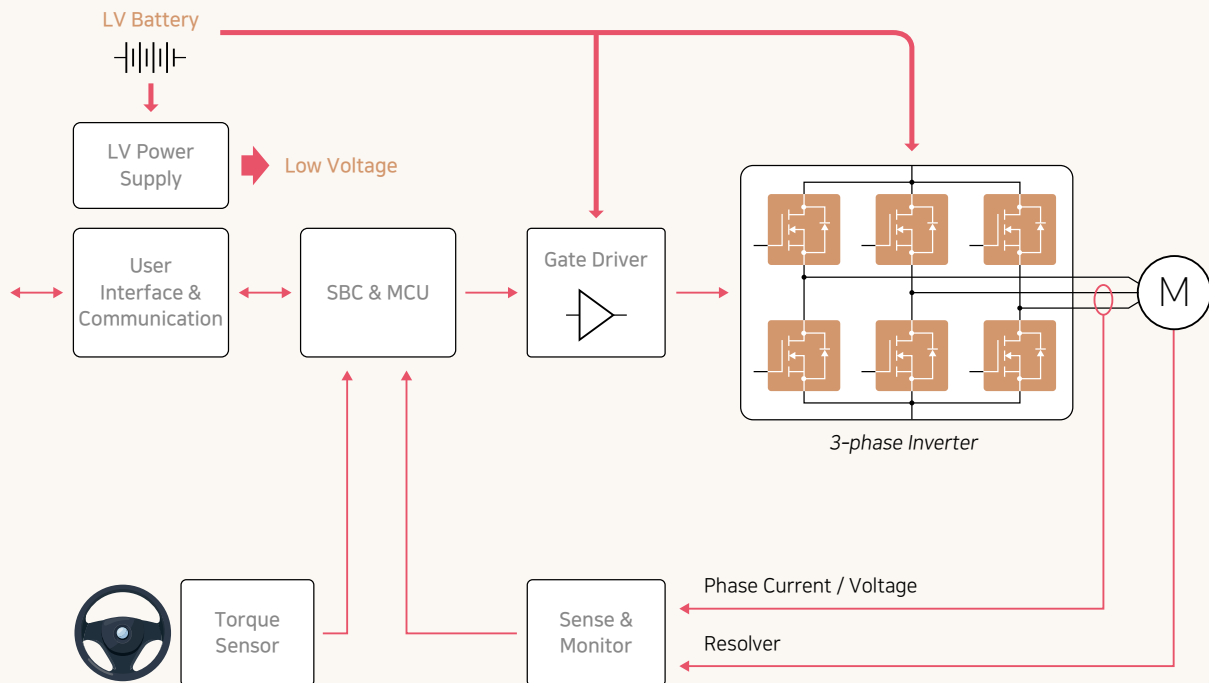
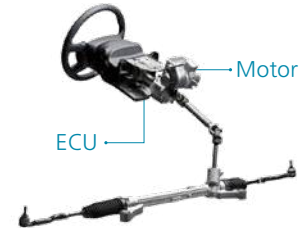
Normal (All Location)	Crack Mitigation (12V Battery Line, Near Hole & Connector)	ESD Strengthen (Connector I/F)	High Temperature (near Power Semiconductor)
X7* Normal (Epoxy) PN Series	Soft Termination *PJ Series	ESD Strengthen PE Series	X8* Normal PN Series
COG Normal PN Series	Fail Safe/Soft Term. XPJ Series		



Application Guide

Chassis Electric Power Steering

An Electric Power Steering (EPS) helps drivers turn a steering wheel of a vehicle via an electric motor. EPS gives an opportunity to augment the quality of driving to the driver, making it easier for the driver to put less efforts to turn the steering wheel.



Normal (All Location)	Crack Mitigation (12V Battery Line, Near Hole & Connector)	ESD Strengthen (Connector I/F)
X7* Normal (Epoxy) PN Series	Soft Termination *PJ Series	ESD Strengthen PE Series
COG Normal PN Series	Fail Safe/Soft Term. XPJ Series	

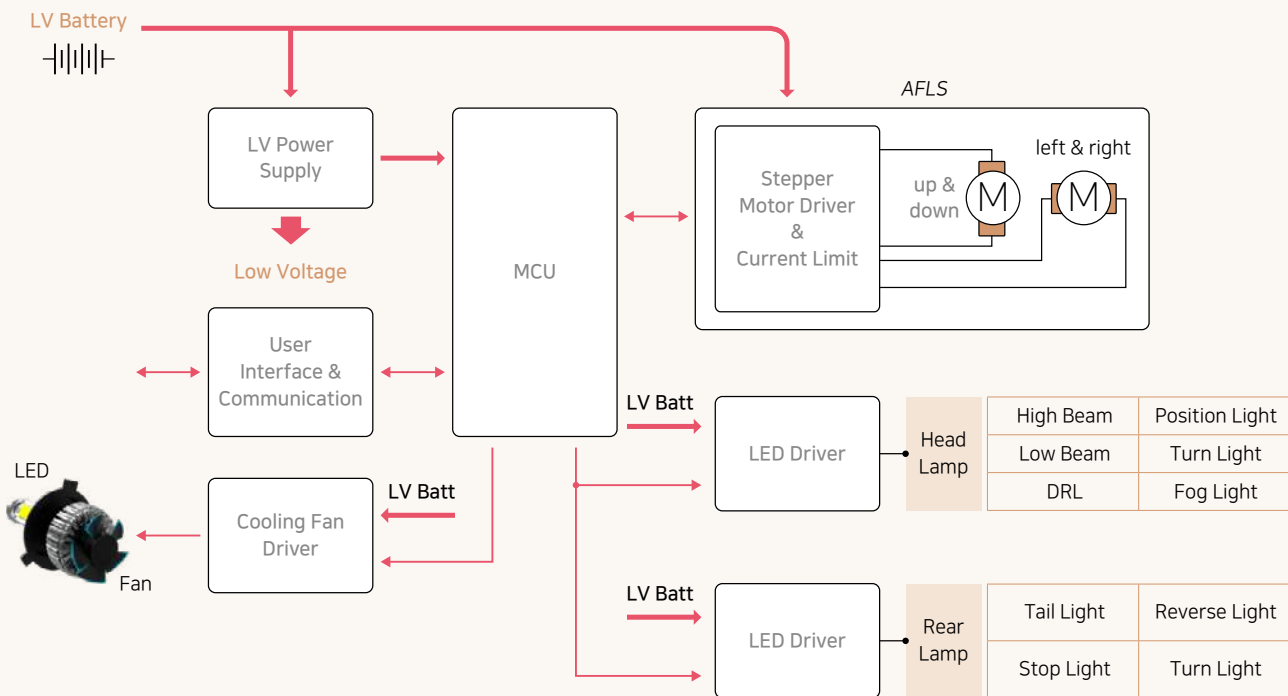


Application Guide

Body

LED Light Module with AFLS

A number of drivers favor a vehicle with head and rear ramps using LED that provides power efficiency, long lifespan and a various designs available. AFLS is an adaptive front lighting system to modulate the angles of the beam according to the driving direction of a vehicle.



Normal (All Location)	Crack Mitigation (12V Battery Line, Near Hole & Connector)	ESD Strengthen (Connector I/F)	High Temperature (near Power Semiconductor)
X7* Normal (Epoxy) PN Series	Soft Termination *PJ Series	ESD Strengthen PE Series	X8* Normal PN Series
COG Normal PN Series	Fail Safe/Soft Term. XPJ Series		

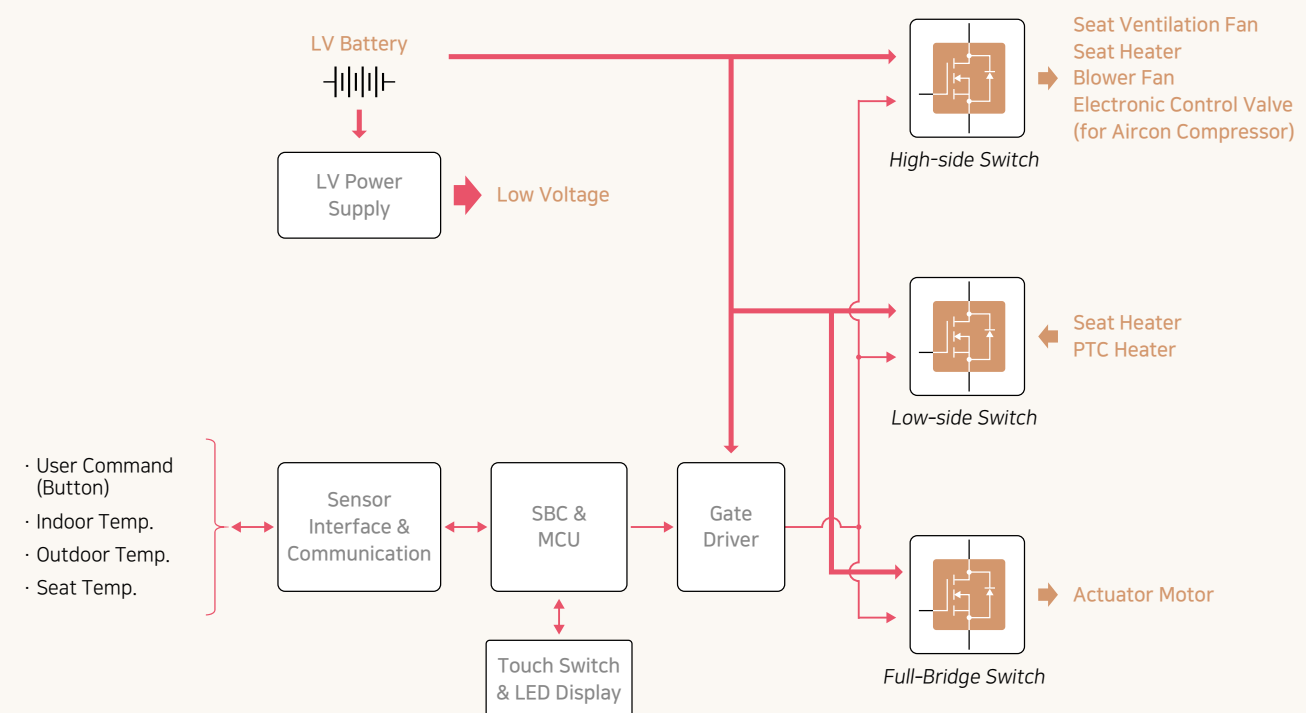


Application Guide

Body

Heating, Ventilation, Air Conditioning

A Heating & Ventilation, Air Conditioning (HVAC) system provides indoor environmental comfort of a vehicle: thermal comfort and high indoor air quality. For this, a heater, a fan and an air-conditioning compressor are operated after the HVAC system analyzes temperatures inside the vehicle. Actuators are used to control the direction of the fan and the air flow.



Normal (All Location)	Crack Mitigation (12V Battery Line, Near Hole & Connector)	ESD Strengthen (Connector I/F)
X7* Normal (Epoxy) PN Series	Soft Termination *PJ Series	ESD Strengthen PE Series
COG Normal PN Series	Fail Safe/Soft Term. XPJ Series	

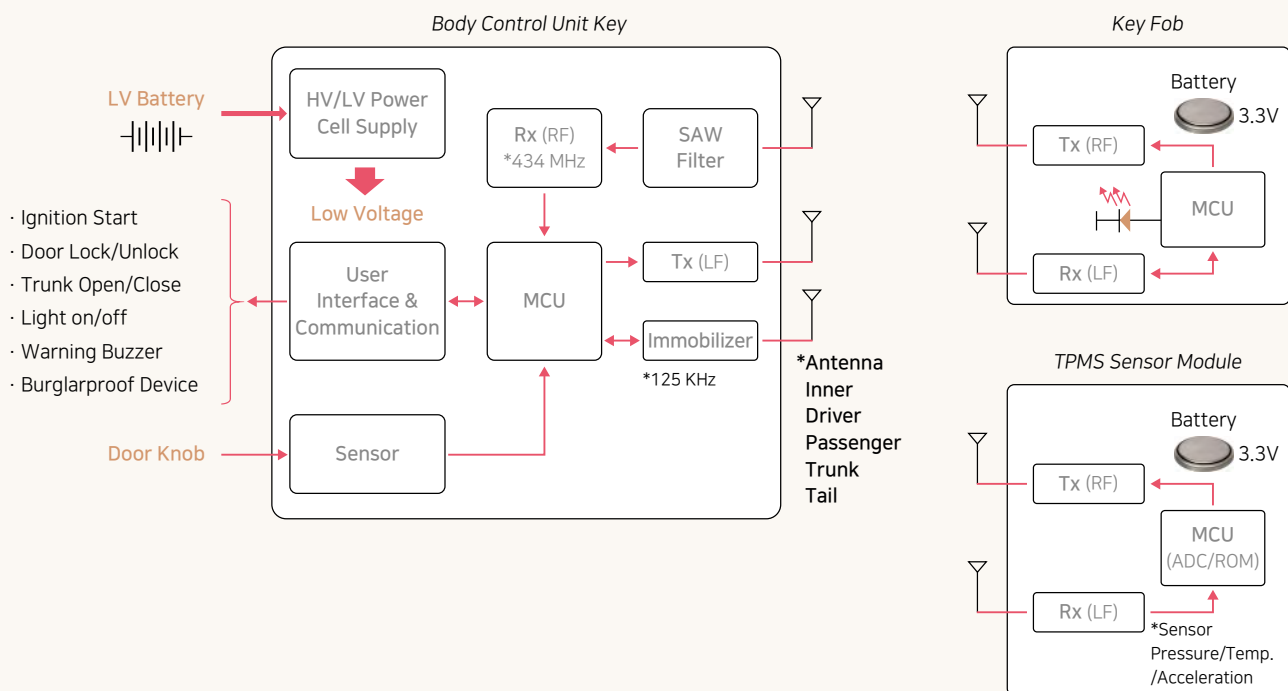


Application Guide

Body

Smart key Control System & TPMS

A Smart Key Control System offers automatic driver recognition, a door lock and unlock function and an engine starter function. Basic functions and optional functions are available depending on a type of vehicles.



Normal
(All Location)

Crack Mitigation
(12V Battery Line,
Near Hole & Connector)

ESD Strengthen
(Connector I/F)

X7* Normal (Epoxy)
PN Series



Soft Termination
*PJ Series



ESD Strengthen
PE Series



COG Normal
PN Series



Fail Safe/Soft Term.
XPJ Series



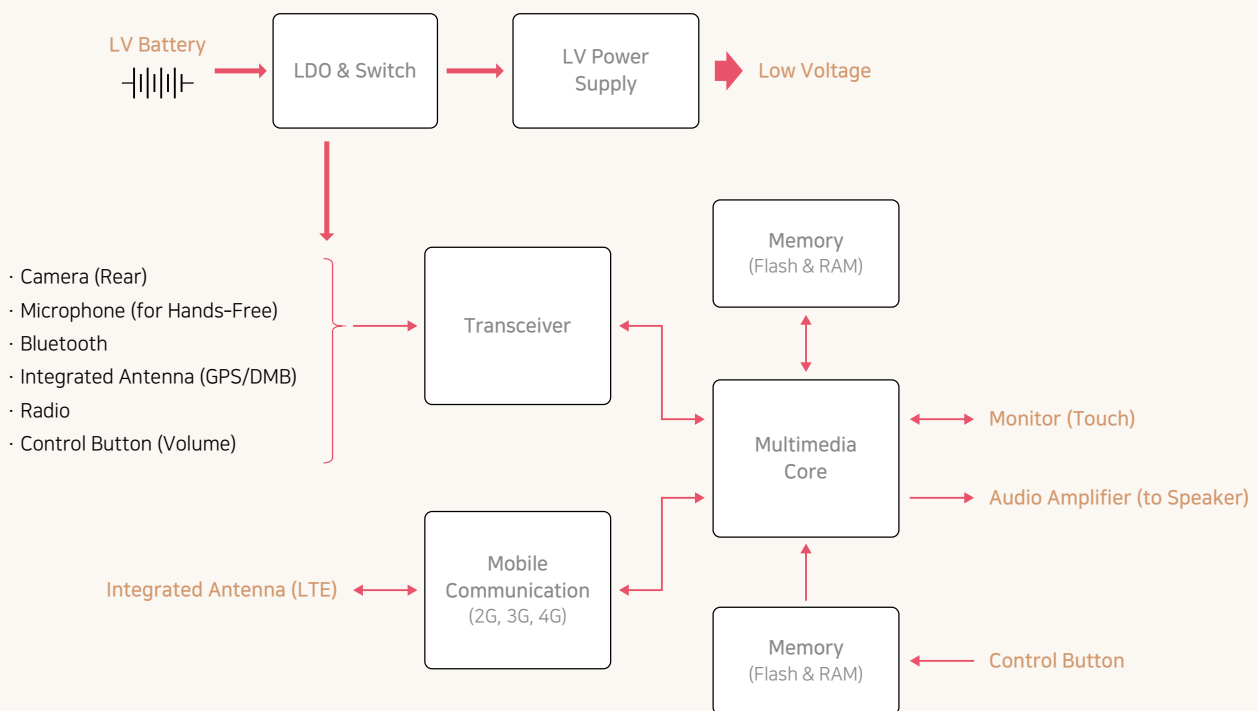







Application Guide

IVI

Head Unit (for AVN)

A Head Unit is a main control system of AVN (Audio, Video, Navigation). It provides unified hardware interface for devices such as a camera, microphone and an antenna to turn on a video and a stereo system according to user command.



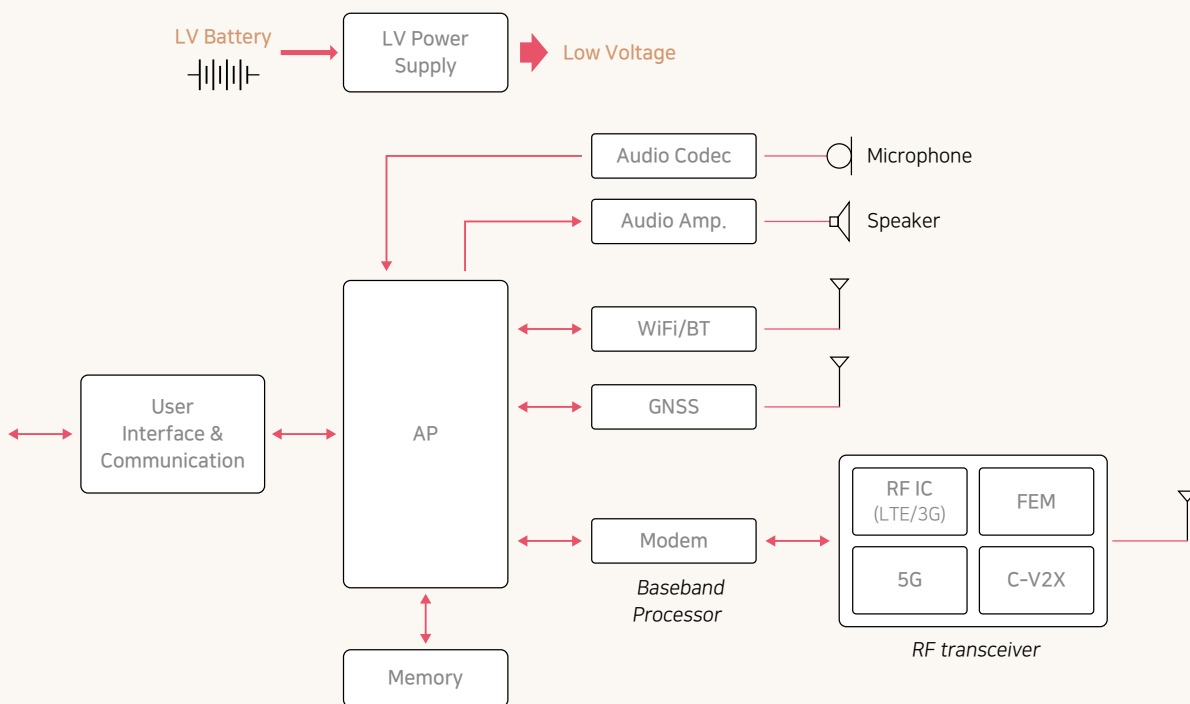
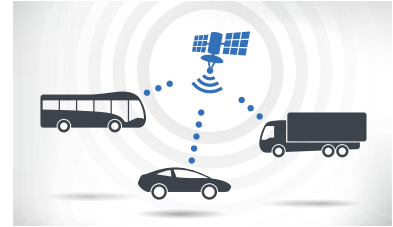
Normal (All Location)	Crack Mitigation (12V Battery Line, Near Hole & Connector)	ESD Strengthen (Connector I/F)
X7* Normal (Epoxy) PN Series 	Soft Termination *PJ Series 	ESD Strengthen PE Series 
COG Normal PN Series 	Fail Safe/Soft Term. XPJ Series 	



Application Guide

IVI Telematics Control Unit

A Telematics Control Unit realizes a wireless network to provide an infotainment service such as route guidance using location information, traffic information, emergency recovery, the Internet, movies, games and so on, which is intended for drivers' safety and convenience.



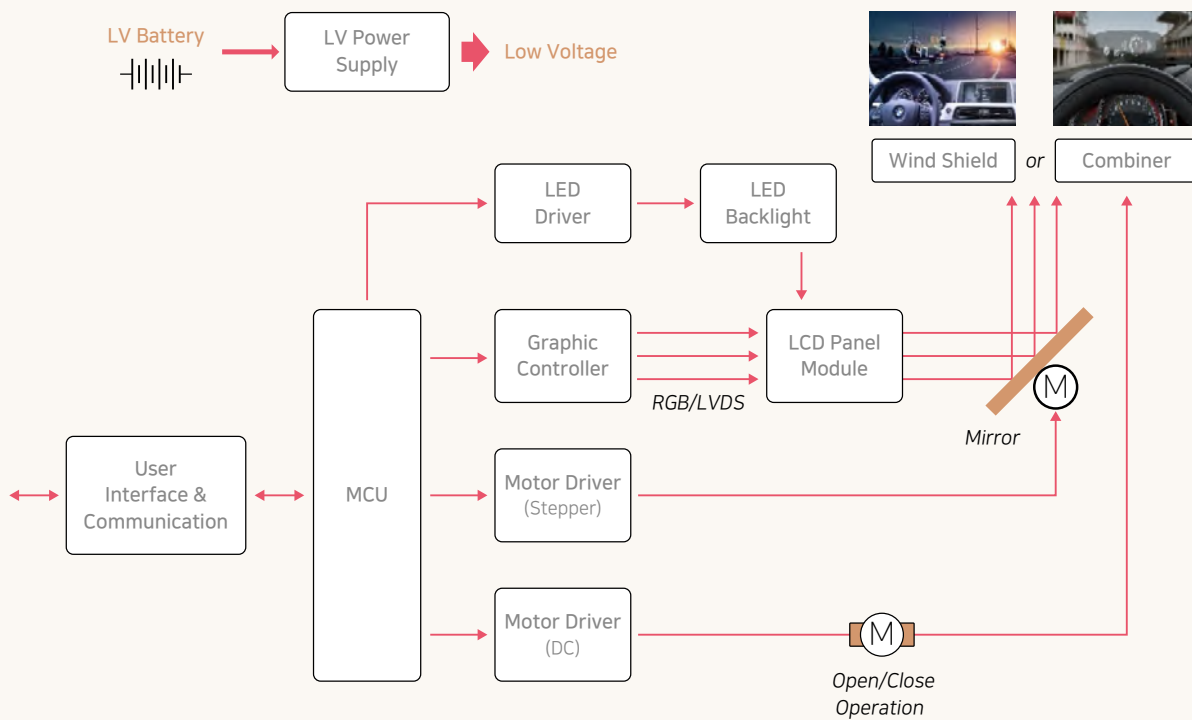
Normal (All Location)	Crack Mitigation (12V Battery Line, Near Hole & Connector)	ESD Strengthen (Connector I/F)
X7* Normal (Epoxy) PN Series	Soft Termination *PJ Series	ESD Strengthen PE Series
COG Normal PN Series	Fail Safe/Soft Term. XPJ Series	



Application Guide

IVI Head Up Display

A Head Up Display (HUD) is a transparent display that presents data on driving with an image on a wind shield or a combiner from drivers viewpoint.



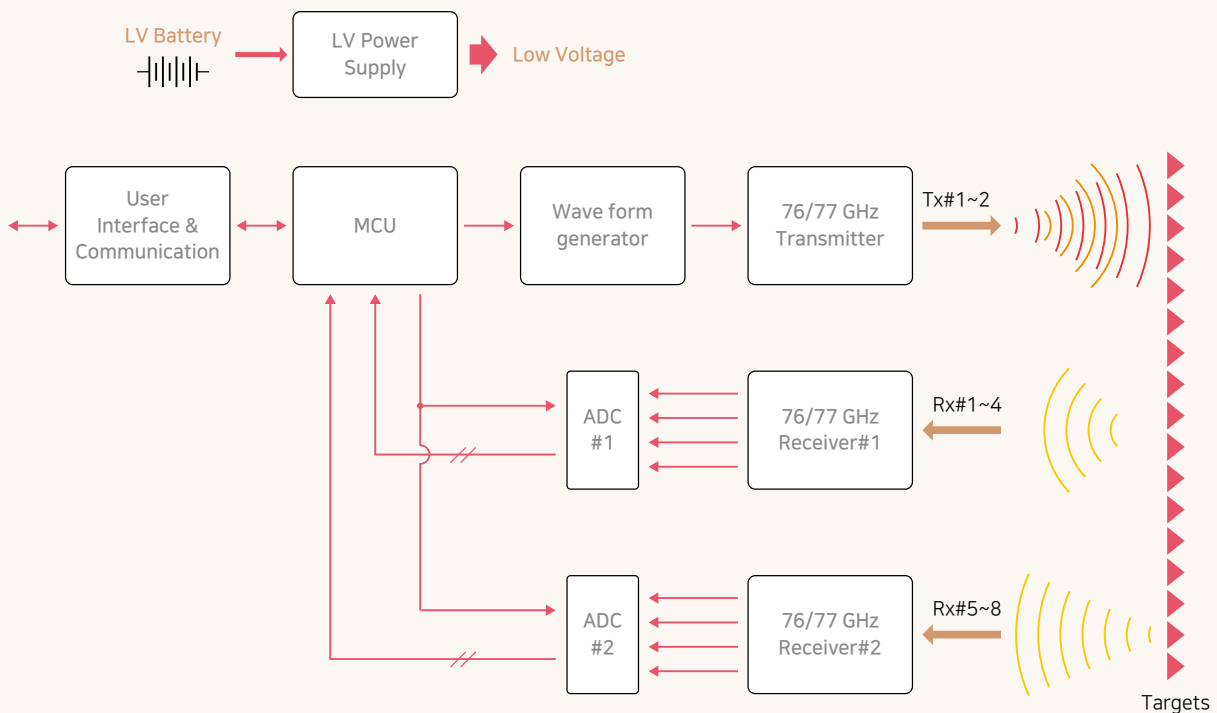
Normal (All Location)	Crack Mitigation (12V Battery Line, Near Hole & Connector)	ESD Strengthen (Connector I/F)
X7* Normal (Epoxy) PN Series	Soft Termination *PJ Series	ESD Strengthen PE Series
COG Normal PN Series	Fail Safe/Soft Term. XPJ Series	



Application Guide

ADAS Smart Cruise Control (Radar)

Smart Cruise Control (SCC) is a driver-friendly system to automatically adjust a vehicle speed and to maintain a safe distance from vehicles ahead by radar.



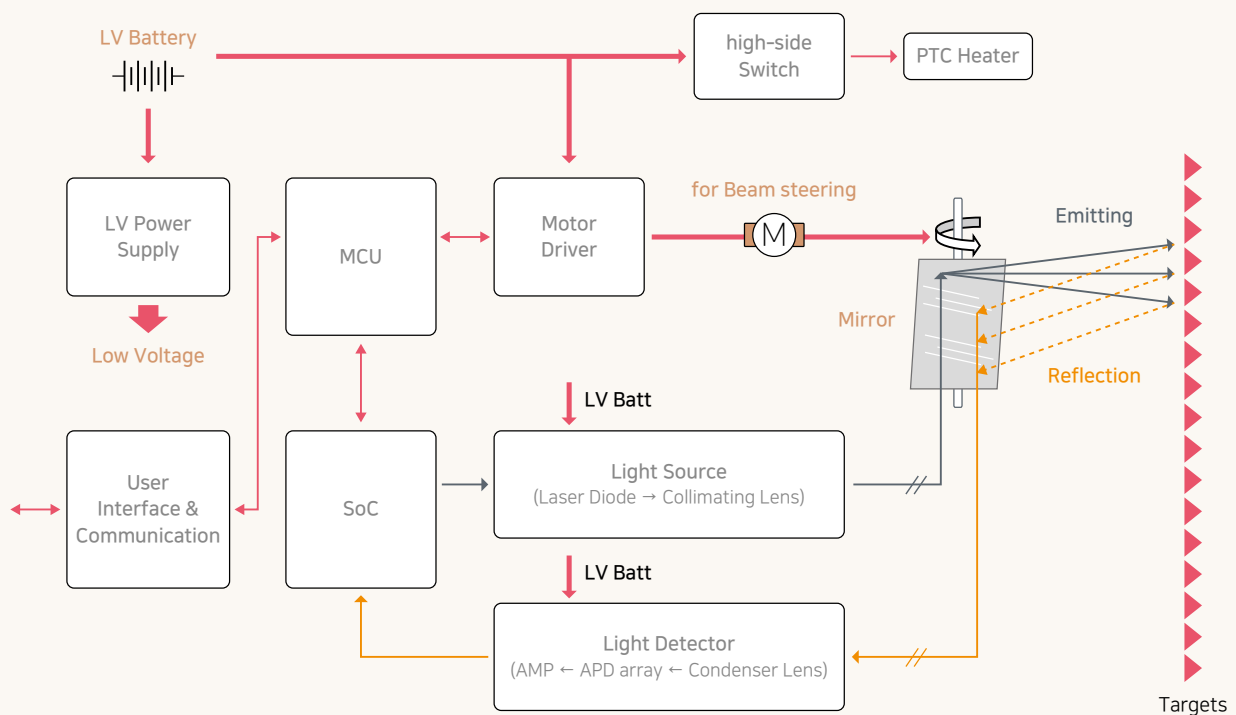
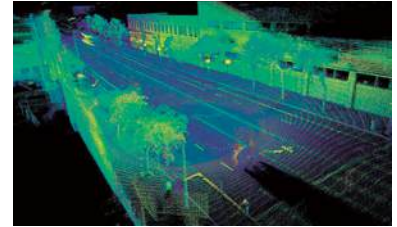
Normal (All Location)	Crack Mitigation (12V Battery Line, Near Hole & Connector)	ESD Strengthen (Connector I/F)
X7* Normal (Epoxy) PN Series	Soft Termination *PJ Series	ESD Strengthen PE Series
COG Normal PN Series	Fail Safe/Soft Term. XPJ Series	



Application Guide

ADAS Light Detection And Ranging

A LiDAR system creates 2D&3D images by measuring a distance with laser beam. LiDAR is considerable regarded as a significant technology to achieve complete autonomous driving.



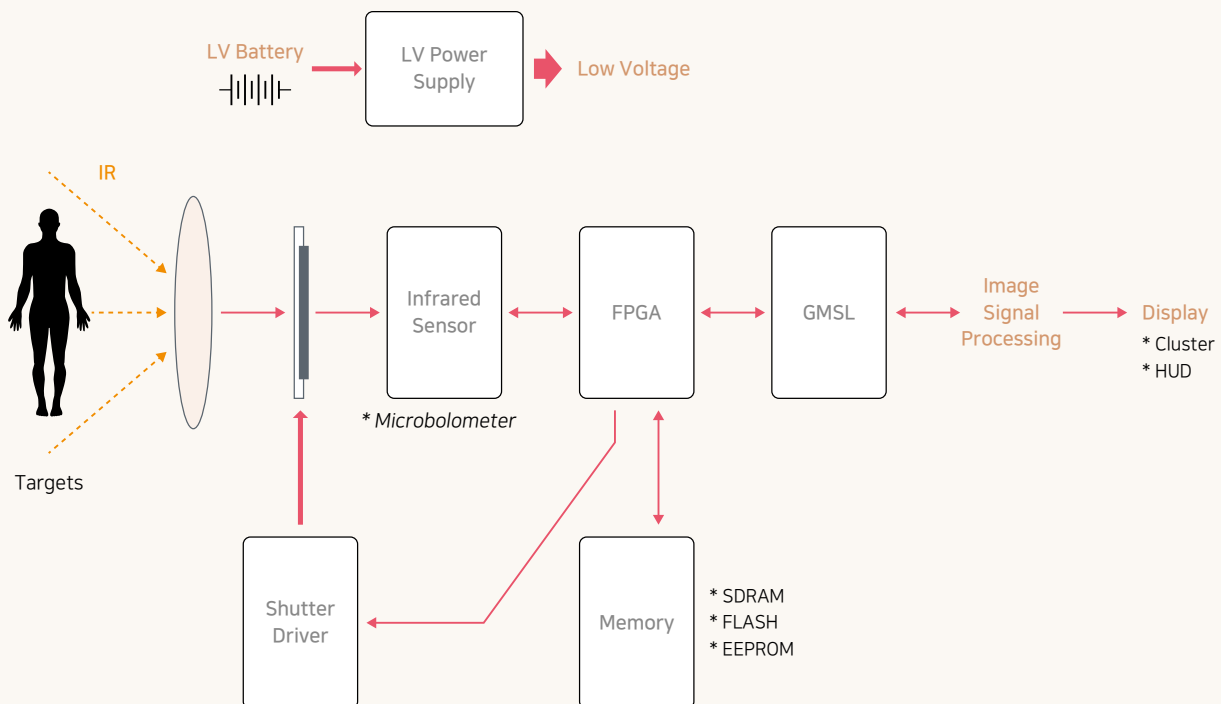
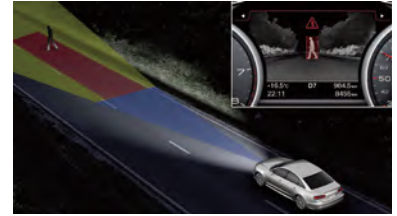
Normal (All Location)	Crack Mitigation (12V Battery Line, Near Hole & Connector)	ESD Strengthen (Connector I/F)
X7* Normal (Epoxy) PN Series	Soft Termination *PJ Series	ESD Strengthen PE Series
COG Normal PN Series	Fail Safe/Soft Term. XPJ Series	



Application Guide

ADAS Night Vision System

A Night Vision System is intended to take greater care of driver's view at night by providing reliable visual information. It enables drivers to increase their perception and seeing distance in darkness, which is beyond the reach of the vehicle's headlights. The Night Vision System uses an infrared camera using thermography or infrared reflective light for awareness of surroundings where human drivers hardly notice them in darkness.



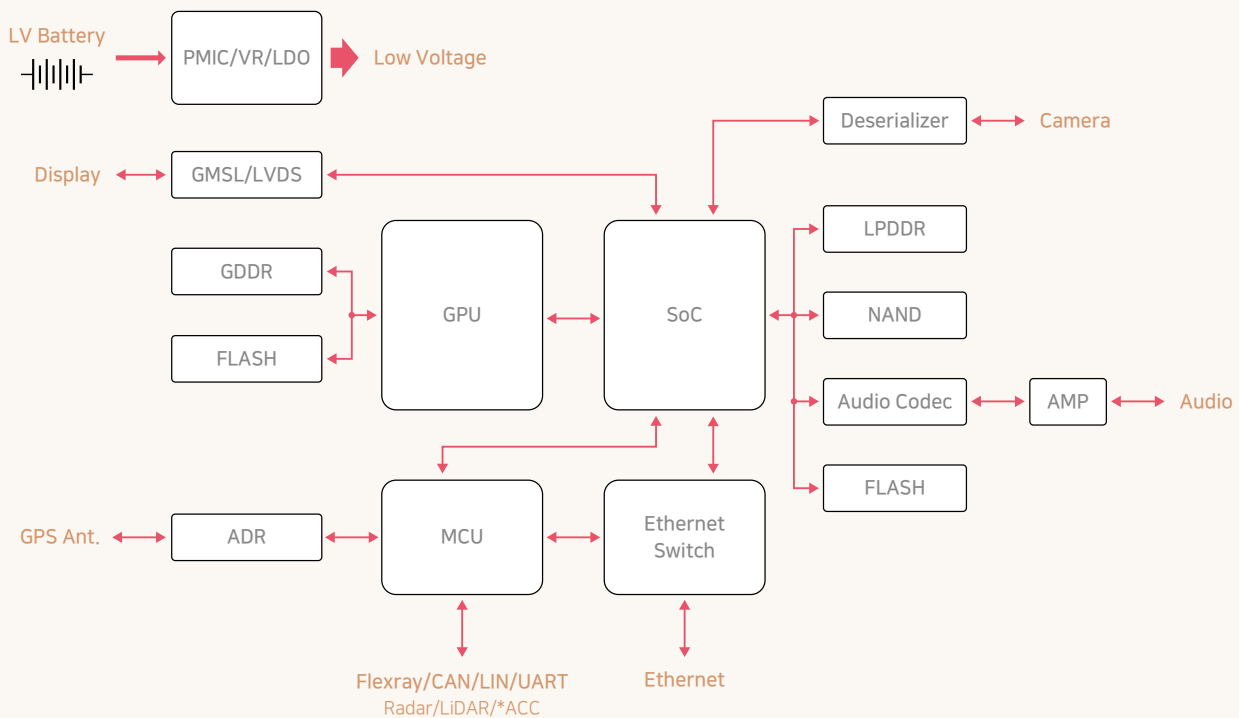
Normal (All Location)	Crack Mitigation (12V Battery Line, Near Hole & Connector)	ESD Strengthen (Connector I/F)
X7* Normal (Epoxy) PN Series	Soft Termination *PJ Series	ESD Strengthen PE Series
COG Normal PN Series	Fail Safe/Soft Term. XPJ Series	



Application Guide

ADAS Autonomous Control Unit

An autonomous vehicle is no longer need driver's effort during driving safely, known as "Autonomous" or a "Driverless car", where the driver is able to leave all responsibility to operate systems. Autonomous unit analyzes big data on sensor, operating functions to search routes, control and drive the vehicle.



Normal (All Location)	Crack Mitigation (12V Battery Line, Near Hole & Connector)	ESD Strengthen (Connector I/F)
X7* Normal (Epoxy) PN Series 	Soft Termination *PJ Series 	ESD Strengthen PE Series
COG Normal PN Series 	Fail Safe/Soft Term. XPJ Series 	



Reliability Test Conditions

No.	Item	Performance	Test condition																	
1	Pre-and Post-Stress Electrical Test	-																		
2	High Temperature Exposure	Appearance	No abnormal exterior appearance																	
		Capacitance Change	Class I	Within±2.5% or ±0.25pF, (Whichever is larger)																
			Class II	Within±10%																
		Q	Class I	Capacitance ≥ 30pF : Q ≥ 1,000 < 30pF : Q ≥ 400 + 20 × C (C : Capacitance)																
		Tanδ	Class II	Rated Voltage ≥ 250V : 0.050 max ≥ 25V : 0.030 max ≥ 16V : 0.050 max ≤ 10V : 0.075 max (X8L : 0.050 max) ^{*1)}																
IR	Rated Voltage ≥ 250V : More than 10,000Ω or 100Ω × μF ≤ 200V : More than 10,000Ω or 500Ω × μF (Whichever is smaller) ^{*1)}																			
3	Temperature Cycling	Appearance	No abnormal exterior appearance																	
		Capacitance Change	Class I	Within±2.5% or ±0.25pF, (Whichever is larger)																
			Class II	Within±10%																
		Q	Class I	Capacitance ≥ 30pF : Q ≥ 1,000 < 30pF : Q ≥ 400 + 20 × C (C : Capacitance)																
		Tanδ	Class II	Rated Voltage ≥ 250V : 0.050 max ≥ 25V : 0.030 max ≥ 16V : 0.050 max ≤ 10V : 0.075 max (X8L : 0.050 max) ^{*1)}																
IR	Rated Voltage ≥ 250V : More than 10,000Ω or 100Ω × μF ≤ 200V : More than 10,000Ω or 500Ω × μF (Whichever is smaller) ^{*1)}																			
			1000Cycles																	
			Initial Measurement Perform the heat treatment at 150°C +0/-10°C for 1 hour and leave the capacitor in ambient condition for 24±2 hours before measurement. Then perform the measurement.																	
			Final Measurement Leave the capacitor in ambient condition for 24±2 hours before measurement. Then perform the measurement.																	
			<table border="1"> <thead> <tr> <th>Step</th> <th>Temperature (°C)</th> <th>Time (min.)</th> </tr> </thead> <tbody> <tr> <td rowspan="2">1</td> <td>Min. operating</td> <td rowspan="2">30±3</td> </tr> <tr> <td>Temp.+0/-3</td> </tr> <tr> <td>2</td> <td>25±2</td> <td>1</td> </tr> <tr> <td rowspan="2">3</td> <td>Max. operating</td> <td rowspan="2">30±3</td> </tr> <tr> <td>Temp.+3/-0</td> </tr> <tr> <td>4</td> <td>25±2</td> <td>1</td> </tr> </tbody> </table>	Step	Temperature (°C)	Time (min.)	1	Min. operating	30±3	Temp.+0/-3	2	25±2	1	3	Max. operating	30±3	Temp.+3/-0	4	25±2	1
Step	Temperature (°C)	Time (min.)																		
1	Min. operating	30±3																		
	Temp.+0/-3																			
2	25±2	1																		
3	Max. operating	30±3																		
	Temp.+3/-0																			
4	25±2	1																		
4	Destructive Physical Analysis	No defects or abnormalities	Per EIA 469																	
5	Biased Humidity	Appearance	No abnormal exterior appearance																	
		Capacitance Change	Class I	Within±2.5% or ±0.25pF, (Whichever is larger)																
			Class II	Within±12.5%																
		Q	Class I	Capacitance ≥ 30pF : Q ≥ 200 < 30pF : Q ≥ 100 + (10/3) × C (C : Capacitance)																
		Tanδ	Class II	Rated Voltage ≥ 250V : 0.050 max ≥ 25V : 0.030 max ≥ 16V : 0.050 max ≤ 10V : 0.075 max ^{*1)} (*X8L - ≥ 35V : 0.035 max ≥ 10V : 0.050 max)																
IR	Rated Voltage ≥ 250V : More than 10,000Ω or 10Ω × μF ≤ 200V : More than 500Ω or 25Ω × μF (*X8L/X8G : More than 1,000Ω or 10Ω × μF) (Whichever is smaller) ^{*1)}																			
			1000hrs 85°C/85%RH, Rated voltage and 1.3 ~ 1.5V, (add 100kohm resistor)																	
			Initial Measurement Perform the heat treatment at 150°C +0/-10°C for 1 hour and leave the capacitor in ambient condition for 24±2 hours before measurement. Then perform the measurement.																	
			Final Measurement Perform the heat treatment at 150°C +0/-10°C for 1 hour and leave the capacitor in ambient condition for 24±2 hours before measurement. Then perform the measurement.																	
6	High Temperature Operating Life	Appearance	No abnormal exterior appearance																	
		Capacitance Change	Class I	Within±3.0% or ±0.3pF, (Whichever is larger)																
			Class II	Within±12.5%																
		Q	Class I	Capacitance ≥ 30pF : Q ≥ 350 ≥ 10pF : Q ≥ 275 + (5 / 2) × C < 10pF : Q ≥ 200 + 10 × C (C : Capacitance)																
		Tanδ	Class II	Rated Voltage ≥ 250V : 0.050 max ≥ 25V : 0.030 max ≥ 16V : 0.050 max ≤ 10V : 0.075 max ^{*1)} (*X8L - ≥ 35V : 0.035 max ≥ 10V : 0.050 max)																
IR	Rated Voltage ≥ 250V : More than 10,000Ω or 10Ω × μF ≤ 200V : More than 1,000Ω or 50Ω × μF (Whichever is smaller) ^{*1)}																			
			1000hrs @ TA = Max temp., Rated Voltage ^{*2)}																	
			Initial Measurement Perform the heat treatment at 150°C +0/-10°C for 1 hour and leave the capacitor in ambient condition for 24±2 hours before measurement. Then perform the measurement.																	
			Final Measurement Perform the heat treatment at 150°C +0/-10°C for 1 hour and leave the capacitor in ambient condition for 24±2 hours before measurement. Then perform the measurement.																	

※ *1) : Indicates typical specification. Please refer to individual specifications.

*2) : Some of the parts are applicable in rated voltage × 150% or × 120%, Please refer to individual specifications.



Reliability Test Conditions

No.	Item	Performance	Test condition								
7	External Visual	No abnormal exterior appearance	Microscope (×10)								
8	Physical Dimensions	Within the specified dimensions	Using the calipers								
9	Mechanical Shock	Appearance	Three shocks in each direction should be applied along 3 mutually perpendicular axes of the test specimen (18 shocks) <table border="1"> <thead> <tr> <th>Peak value</th> <th>Duration</th> <th>Wave</th> <th>Velocity</th> </tr> </thead> <tbody> <tr> <td>1,500G</td> <td>0.5ms</td> <td>Half sine</td> <td>4.7m / sec</td> </tr> </tbody> </table> Initial Measurement Perform the heat treatment at 150°C +0/-10°C for 1 hour and leave the capacitor in ambient condition for 24±2 hours before measurement. Then perform the measurement. Final Measurement Leave the capacitor in ambient condition for 24±2 hours before measurement. Then perform the measurement.	Peak value	Duration	Wave	Velocity	1,500G	0.5ms	Half sine	4.7m / sec
		Peak value		Duration	Wave	Velocity					
		1,500G		0.5ms	Half sine	4.7m / sec					
		Capacitance Change		Class I Within±2.5% or ±0.25pF, (Whichever is larger)							
				Class II Within±10%							
Q	Class I Capacitance ≥ 30pF : Q ≥ 1,000 < 30pF : Q ≥ 400 + 20 × C (C : Capacitance)										
Tanδ	Class II Rated Voltage ≥ 250V : 0.050 max ≥ 25V : 0.030 max ≥ 16V : 0.050 max ≤ 10V : 0.075 max (X8L : 0.035 max) ^{*1)}										
	IR	Rated Voltage ≥ 250V : More than 10,000MΩ or 100MΩ × μF ≤ 200V : More than 10,000MΩ or 500MΩ × μF (Whichever is smaller) ^{*1)}									
10	Vibration	Appearance	5g's for 20min., 12cycles each of 3 orientations, Use 8" × 5" PCB 0.031" Thick 7 secure points on one long side and 2 secure points at corners of opposite sides. Parts mounted within 2" from any secure point. Test from 10~2000Hz. Initial Measurement Perform the heat treatment at 150°C +0/-10°C for 1 hour and leave the capacitor in ambient condition for 24±2 hours before measurement. Then perform the measurement. Final Measurement Leave the capacitor in ambient condition for 24±2 hours before measurement. Then perform the measurement.								
		Capacitance Change		Class I Within±2.5% or ±0.25pF, (Whichever is larger)							
				Class II Within±10%							
		Q		Class I Capacitance ≥ 30pF : Q ≥ 1,000 < 30pF : Q ≥ 400 + 20 × C (C : Capacitance)							
		Tanδ		Class II Rated Voltage ≥ 250V : 0.050 max ≥ 25V : 0.030 max ≥ 16V : 0.050 max ≤ 10V : 0.075 max (X8L : 0.035 max) ^{*1)}							
	IR	Rated Voltage ≥ 250V : More than 10,000MΩ or 100MΩ × μF ≤ 200V : More than 10,000MΩ or 500MΩ × μF (Whichever is smaller) ^{*1)}									
11	Resistance to Solder Heat	Appearance	Solder pot : 260±5°C, 10±1sec. Initial Measurement Perform the heat treatment at 150°C +0/-10°C for 1 hour and leave the capacitor in ambient condition for 24±2 hours before measurement. Then perform the measurement. Final Measurement Leave the capacitor in ambient condition for 24±2 hours before measurement. Then perform the measurement.								
		Capacitance Change		Class I Within±2.5% or ±0.25pF, (Whichever is larger)							
				Class II Within±10%							
		Q		Class I Capacitance ≥ 30pF : Q ≥ 1,000 < 30pF : Q ≥ 400 + 20 × C (C : Capacitance)							
		Tanδ		Class II Rated Voltage ≥ 250V : 0.050 max ≥ 25V : 0.025 max ≥ 16V : 0.035 max ≤ 10V : 0.050 max (X8L : 0.035 max) ^{*1)}							
	IR	Rated Voltage ≥ 250V : More than 10,000MΩ or 100MΩ × μF ≤ 200V : More than 10,000MΩ or 500MΩ × μF (Whichever is smaller) ^{*1)}									
12	ESD	Appearance	AEC - Q200 - 002 Initial Measurement Perform the heat treatment at 150°C +0 / -10°C for 1 hour and leave the capacitor in ambient condition for 24±2 hours before measurement. Then perform the measurement. Final Measurement Perform the heat treatment at 150°C +0 / -10°C for 1 hour and leave the capacitor in ambient condition for 24±2 hours before measurement. Then perform the measurement.								
		Capacitance Change		Class I Within±2.5% or ±0.25pF, (Whichever is larger)							
				Class II Within±10%							
		Q		Class I Capacitance ≥ 30pF : Q ≥ 1,000 < 30pF : Q ≥ 400 + 20 × C (C : Capacitance)							
		Tanδ		Class II Rated Voltage ≥ 250V : 0.050 max ≥ 25V : 0.025 max ≥ 16V : 0.035 max ≤ 10V : 0.050 max (X8L : 0.035 max) ^{*1)}							
	IR	Rated Voltage ≥ 250V : More than 10,000MΩ or 100MΩ × μF ≤ 200V : More than 10,000MΩ or 500MΩ × μF (Whichever is smaller) ^{*1)}									
13	Solderability	95% of the terminations is to be soldered evenly and continuously	a) Preheat at 155°C for 4 hrs, Immerse in solder for 5s at 245±5°C b) Steam aging for 8 hrs, Immerse in solder for 5s at 245±5°C c) Steam aging for 8 hrs, Immerse in solder for 120s at 260±5°C solder : a solution ethanol and rosin								

※ *1) : Indicates typical specification. Please refer to individual specifications.



Reliability Test Conditions

No.	Item	Performance	Test condition																																		
14	Electrical Characterization	Capacitance	Within specified tolerance																																		
		Q	Class I Capacitance $\geq 30\text{pF}$: $Q \geq 1,000$ $< 30\text{pF}$: $Q \geq 400 + 20 \times C$ (C : Capacitance)																																		
		Tan δ	Class II Rated Voltage $\geq 25\text{V}$: 0.025 max $\geq 16\text{V}$: 0.035 max $\leq 10\text{V}$: 0.050 max (X8L : 0.035 max ^{*1)})																																		
		IR @25°C	Class I	More than $100,000\Omega$ or $1,000\Omega \times \mu\text{F}$ (Whichever is smaller)																																	
			Class II	More than $10,000\Omega$ or $500\Omega \times \mu\text{F}$ (Whichever is smaller)																																	
		IR @Max temp.	Class I	More than $10,000\Omega$ or $100\Omega \times \mu\text{F}$ (Whichever is smaller)																																	
Class II	More than $1,000\Omega$ or $10\Omega \times \mu\text{F}$ (*X8L: More than $1,000\Omega$ or $10\Omega \times \mu\text{F}$) (Whichever is smaller)																																				
	Dielectric Strength	No dielectric breakdown or mechanical breakdown	<p>The Capacitance / D.F. should be measured at 25°C, * Capacitance shall be measured after the heat treatment of 150+0 / -10°C for 1hr and leaving for 24±2hr at room temperature</p> <table border="1"> <thead> <tr> <th>Class</th> <th>Capacitance</th> <th>Frequency</th> <th>Voltage</th> </tr> </thead> <tbody> <tr> <td rowspan="2">I</td> <td>$\leq 1,000\text{pF}$</td> <td>$1\text{kHz} \pm 10\%$</td> <td>$0.5 \sim 5.0\text{Vrms}$</td> </tr> <tr> <td>$> 1,000\text{pF}$</td> <td rowspan="2">$1\text{kHz} \pm 10\%$</td> <td>$1.0 \pm 0.2\text{Vrms}$</td> </tr> <tr> <td rowspan="2">II</td> <td>$\leq 10\mu\text{F}$</td> <td rowspan="2">$120\text{Hz} \pm 20\%$</td> <td>$0.5 \pm 0.1\text{Vrms}$</td> </tr> <tr> <td>$> 10\mu\text{F}$</td> <td></td> </tr> </tbody> </table> <p>IR. should be measured with a DC voltage not exceeding Rated Voltage @25°C, @125°C for 60 ~ 120 sec.</p> <p>Dielectric Strength : 250% of the rated voltage for 1 ~ 5 seconds The charge / discharge current is less than 50mA.</p>	Class	Capacitance	Frequency	Voltage	I	$\leq 1,000\text{pF}$	$1\text{kHz} \pm 10\%$	$0.5 \sim 5.0\text{Vrms}$	$> 1,000\text{pF}$	$1\text{kHz} \pm 10\%$	$1.0 \pm 0.2\text{Vrms}$	II	$\leq 10\mu\text{F}$	$120\text{Hz} \pm 20\%$	$0.5 \pm 0.1\text{Vrms}$	$> 10\mu\text{F}$																		
Class	Capacitance	Frequency	Voltage																																		
I	$\leq 1,000\text{pF}$	$1\text{kHz} \pm 10\%$	$0.5 \sim 5.0\text{Vrms}$																																		
	$> 1,000\text{pF}$	$1\text{kHz} \pm 10\%$	$1.0 \pm 0.2\text{Vrms}$																																		
II	$\leq 10\mu\text{F}$		$120\text{Hz} \pm 20\%$	$0.5 \pm 0.1\text{Vrms}$																																	
	$> 10\mu\text{F}$																																				
15	Board Flex	Appearance	No abnormal exterior appearance																																		
		Capacitance Change	Class I	Within $\pm 5.0\%$ or $\pm 0.5\text{pF}$, (Whichever is larger)																																	
			Class II	Within $\pm 10\%$																																	
		<p>Bending to the limit for 60 seconds. Limit : Class I - 3mm Class II - 3mm ^{*1)} (Substrate for board flex test)</p> <table border="1"> <thead> <tr> <th>Code (inch)</th> <th>Dimension (mm)</th> <th>a</th> <th>b</th> <th>c</th> </tr> </thead> <tbody> <tr> <td>03 (0201)</td> <td>0.6×0.3</td> <td>0.3</td> <td>0.9</td> <td>0.3</td> </tr> <tr> <td>05 (0402)</td> <td>1.0×0.5</td> <td>0.5</td> <td>1.5</td> <td>0.6</td> </tr> <tr> <td>10 (0603)</td> <td>1.6×0.8</td> <td>0.6</td> <td>2.2</td> <td>0.9</td> </tr> <tr> <td>21 (0805)</td> <td>2.0×1.25</td> <td>0.8</td> <td>3.0</td> <td>1.3</td> </tr> <tr> <td>31 (1206)</td> <td>3.2×1.6</td> <td>2.0</td> <td>4.4</td> <td>1.7</td> </tr> <tr> <td>32 (1210)</td> <td>3.2×2.5</td> <td>2.0</td> <td>4.4</td> <td>2.6</td> </tr> </tbody> </table> <p>[unit : mm]</p> <p>Material: Glass epoxy substrate Thickness: T=1.6mm, *03(0201), 05(0402) T=0.8mm</p> <p>Initial Measurement Perform the heat treatment at 150°C +0 / -10°C for 1 hour and leave the capacitor in ambient condition for 24±2 hours before measurement. Then perform the measurement.</p> <p>Final Measurement Leave the capacitor in ambient condition for 24±2 hours before measurement. Then perform the measurement.</p>	Code (inch)	Dimension (mm)	a	b	c	03 (0201)	0.6×0.3	0.3	0.9	0.3	05 (0402)	1.0×0.5	0.5	1.5	0.6	10 (0603)	1.6×0.8	0.6	2.2	0.9	21 (0805)	2.0×1.25	0.8	3.0	1.3	31 (1206)	3.2×1.6	2.0	4.4	1.7	32 (1210)	3.2×2.5	2.0	4.4	2.6
Code (inch)	Dimension (mm)	a	b	c																																	
03 (0201)	0.6×0.3	0.3	0.9	0.3																																	
05 (0402)	1.0×0.5	0.5	1.5	0.6																																	
10 (0603)	1.6×0.8	0.6	2.2	0.9																																	
21 (0805)	2.0×1.25	0.8	3.0	1.3																																	
31 (1206)	3.2×1.6	2.0	4.4	1.7																																	
32 (1210)	3.2×2.5	2.0	4.4	2.6																																	
16	Terminal Strength (SMD)	Appearance	No abnormal exterior appearance																																		
		Capacitance Change	Class I	Within $\pm 2.5\%$ or $\pm 0.25\text{pF}$, (Whichever is larger)																																	
			Class II	Within $\pm 10\%$																																	
		<p>18N, for 60±1 sec. * 0603(1608) _ 10N, 0402(1005), 0201(0603) _ 2N</p> <p>Initial Measurement Perform the heat treatment at 150°C +0 / -10°C for 1 hour and leave the capacitor in ambient condition for 24±2 hours before measurement. Then perform the measurement.</p> <p>Final Measurement Leave the capacitor in ambient condition for 24±2 hours before measurement. Then perform the measurement.</p>																																			

※ *1) : Indicates typical specification. Please refer to individual specifications.



Reliability Test Conditions

No.	Item		Performance	Test condition												
17	Beam Load		Destruction value should be exceed Chip Length ≤ 2.5mm a) Chip Thickness > 0.5mm : 20N b) Chip Thickness = 0.5mm : 8N c) Chip Thickness = 0.3mm : 5N Chip Length ≥ 3.2mm a) Chip Thickness ≥ 1.25mm : 54.5N b) Chip Thickness < 1.25mm : 15N	Beam speed Chip Length ≤ 2.5mm, 20N, 8N, 0.50±0.05mm / sec. Chip Length ≤ 2.5mm, 5N, 0.10±0.01mm / sec. Chip Length ≥ 3.5mm, 2.50±0.25mm / sec.												
18	Capacitance Temperature Characteristics	Capacitance Change	Class I	Capacitance shall be measured by the steps shown in the following table. <table border="1"> <thead> <tr> <th>Step</th> <th>Temperature (°C)</th> </tr> </thead> <tbody> <tr> <td>1</td> <td>25±2</td> </tr> <tr> <td>2</td> <td>Min. operating temp.±2</td> </tr> <tr> <td>3</td> <td>25±2</td> </tr> <tr> <td>4</td> <td>Max. operating temp.±2</td> </tr> <tr> <td>5</td> <td>25±2</td> </tr> </tbody> </table> ■ Class I Temperature Coefficient shall be calculated from the formula as below Temp. Coefficient = $\frac{C_2 - C_1}{C_1 \times \Delta T} \times 10^6$ [ppm / °C] C ₁ : Capacitance at step 3 C ₂ : Capacitance at step 4 ΔT : Temp. at step 4 - Temp. at step 3 ■ Class II Capacitance change shall be calculated from the formula as below $\Delta C = \frac{C_2 - C_1}{C_1} \times 100 (\%)$ C ₁ : Capacitance at step 3 C ₂ : Capacitance at step 2 or step 4	Step	Temperature (°C)	1	25±2	2	Min. operating temp.±2	3	25±2	4	Max. operating temp.±2	5	25±2
			Step		Temperature (°C)											
1	25±2															
2	Min. operating temp.±2															
3	25±2															
4	Max. operating temp.±2															
5	25±2															
Class II	X*R : ±15% X*S : ±22% X*T : +22/-33% X*L : +15/-40% X*M : +15/-50%															

※ *1) : Indicates typical specification. Please refer to individual specifications.
If you want more detailed information, Please Visit Samsung Electro - mechanics website (www.semclcr.com)



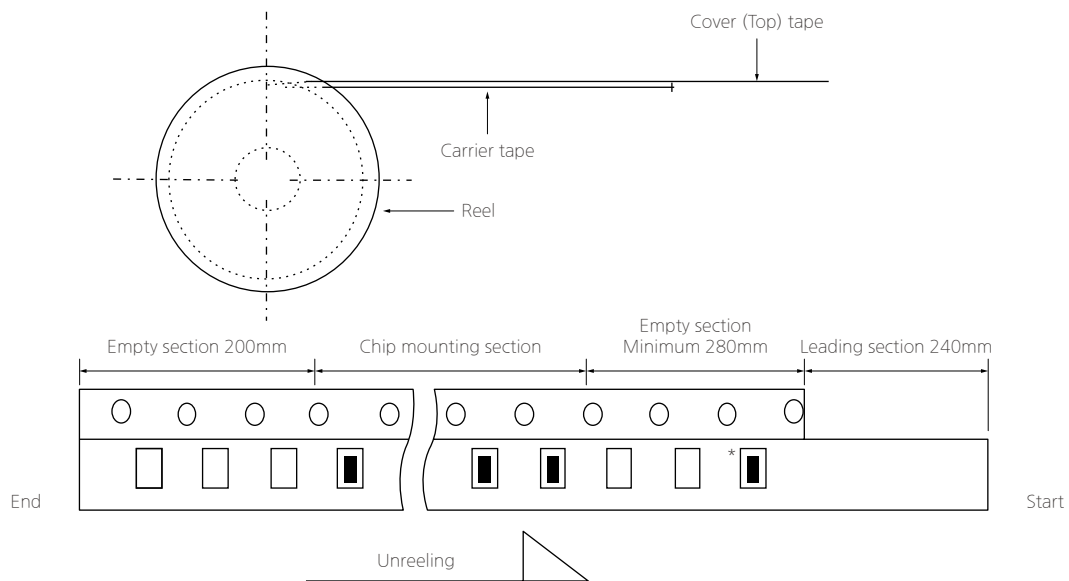
Packaging Specifications

Packaging

This specification applies to taping of MLCC.

When customers require, the specification may be changed under the agreement.

1 Figure



* The chip is only use for identifying the label and packaged products. Please don't use the chip.

2 Quantity

(Unit : pcs)

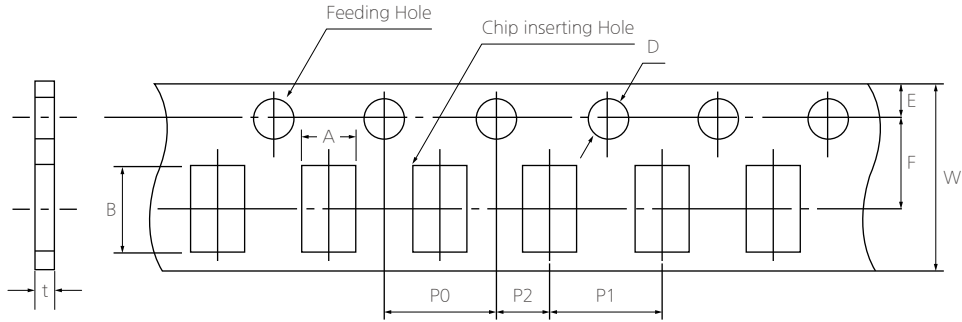
Type	Size mm (inch)	Chip Thickness (mm)	Taping Type	Pitch (mm)	Plastic 7 inches reel	Plastic 10 inches reel	Plastic 13 inches reel
MLCC	0603 (0201)	0.3	PAPER	2	10K	-	50K
	1005 (0402)	0.5	PAPER	2	10K	-	50K
	1608 (0603)	0.8	PAPER	4	4K	10K	15K/10K
	2012 (0805)	$T \leq 0.85$	PAPER	4	4K	10K	15K/10K
		$T \geq 1.0$	EMBOSSSED	4	2K	6K	10K
	3216 (1206)	$T \leq 0.85$	PAPER	4	4K	10K	10K
		$T \geq 1.0$	EMBOSSSED	4	2K	4K	10K
	3225 (1210)	$T \leq 1.6$	EMBOSSSED	4	2K	4K	10K
$T \geq 2.0$		EMBOSSSED	4	1K	4K	4K	



Packaging Specifications

3 Tape Size

I. Cardboard(Paper) tape : 4mm pitch

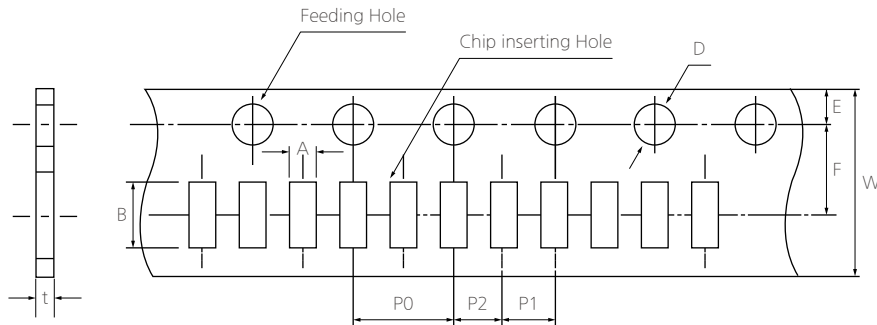


(Unit : mm)

Size mm (inch)	A	B	W	F	E	P1	P2	P0	D	t
1608 (0603)	1.00 ±0.05	1.90 ±0.05	8.00 ±0.30	3.50 ±0.05	1.75 ±0.10	4.00 ±0.10	2.00 ±0.05	4.00 ±0.10	φ1.50 +0.10/-0	1.1 Below
2012 (0805)	1.60 ±0.20	2.40 ±0.20								
3216 (1206)	2.00 ±0.20	3.60 ±0.20								

※ The A, B in the table above are based on normal dimensions. The data may be changed with the special size tolerances.

II. Cardboard(Paper) tape : 2mm pitch



(Unit : mm)

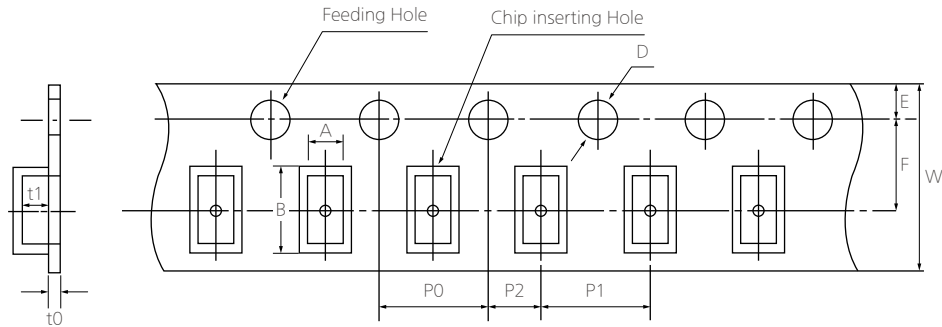
Size mm (inch)	A	B	W	F	E	P1	P2	P0	D	t
0402 (01005)	0.26 ±0.03	0.46 ±0.03	8.00 ±0.30	3.50 ±0.05	1.75 ±0.10	2.00 ±0.05	2.00 ±0.05	4.00 ±0.10	φ1.50 +0.1 /-0.03	0.25 ±0.02
0603 (0201)	0.38 ±0.03	0.68 ±0.03								0.35 ±0.03
1005 (0402)	0.62 ±0.05	1.12 ±0.05								0.60 ±0.05
0510 (0204)	0.62 0.05 /-0.10	1.12 0.05 /-0.10								0.37 ±0.03

※ The A, B in the table above are based on normal dimensions. The data may be changed with the special size tolerances.



Packaging Specifications

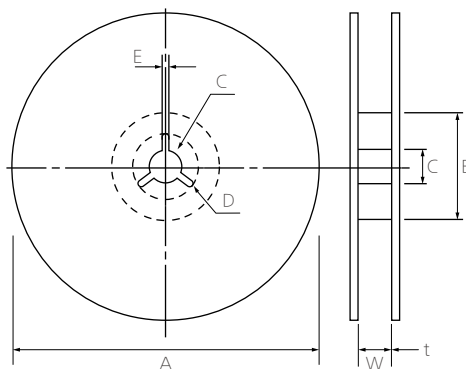
III. Embossed (Plastic) tape



(Unit : mm)

Size mm (inch)	A	B	W	F	E	P1	P2	P0	D	t1	t0		
0402 (01005)	0.23 ±0.02	0.45 ±0.02	4.00 ±0.05	1.80 ±0.02	0.90 ±0.05	1.00 ±0.02	1.00 ±0.02	2.00 ±0.03	φ0.80 ±0.04	0.35 Below	0.50 Below		
05025 (015008)	0.32 ±0.03	0.58 ±0.03	8.00 ±0.30	3.50 ±0.05	1.75 ±0.10	2.00 ±0.05	2.00 ±0.05	4.00 ±0.10	φ1.50 0.1/-0.03				
1608 (0603)	1.05 ±0.15	1.90 ±0.15				4.00 ±0.10			2.00 ±0.05	4.00 ±0.10	φ1.50 0.1/-0	2.92 Below	0.60 Below
2012 (0805)	1.45 ±0.20	2.30 ±0.20											
3216 (1206)	1.90 ±0.20	3.50 ±0.20											
3225 (1210)	2.90 ±0.20	3.70 ±0.20											

IV. Reel Size



(Unit : mm)

Symbol	Tape Width	A	B	C	D	E	W	t
7"Reel	4mm	φ178±2.0	MINφ50	φ13±0.5	21±0.8	2.0±0.5	5±0.5	1.2±0.2
	8mm	φ178±2.0	MINφ50	φ13±0.5	21±0.8	2.0±0.5	10±1.5	0.9±0.2
	12mm	φ178±2.0	MINφ50	φ13±0.5	21±0.8	2.0±0.5	13±0.5	1.2±0.2
10"Reel	8mm	φ258±2.0	MINφ70	φ13±0.5	21±0.8	2.0±0.5	10±1.5	1.8±0.2
13"Reel	8mm	φ330±2.0	MINφ70	φ13±0.5	21±0.8	2.0±0.5	10±1.5	1.8±0.2
	12mm	φ330±2.0	MINφ70	φ13±0.5	21±0.8	2.0±0.5	13±0.5	2.2±0.2

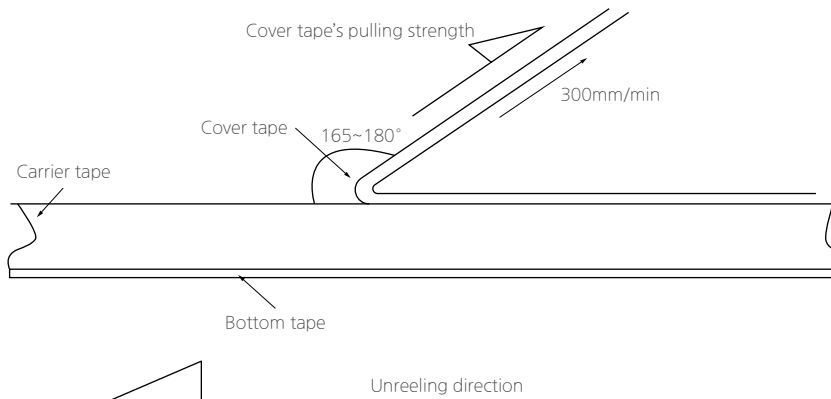
Packaging Specifications

4 Cover tape peel-off force

I. Peel-off force

10 g.f ≤ peel-off force ≤ 70 g.f

II. Measurement Method



- Taping Packaging design : Packaging design follows IEC 60286-3 standard.
 (IEC 60286-3 Packaging of components for automatic handling - parts 3)

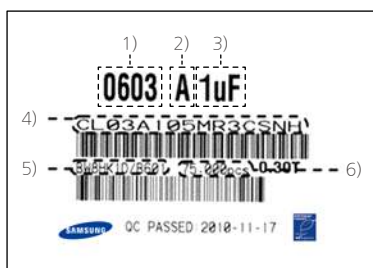
* If the static electricity of SMT process causes any problems, please contact us.

5 BOX package

I. Packaging Label

REEL & Box Type

Label includes the information as below.



- 1) Chip size
- 2) Temperature Characteristics
- 3) Nominal Capacitance
- 4) Model Name
- 5) LOT Number & Reel Number
- 6) Q'ty

II. Box Packaging

- 1) Double packaging with the paper type of inner box and outer box.
- 2) Avoid any damages during transportation by car, airplane and ship.
- 3) Remark information of contents on inner box and outer box

※ If special packaging is required, please contact us.

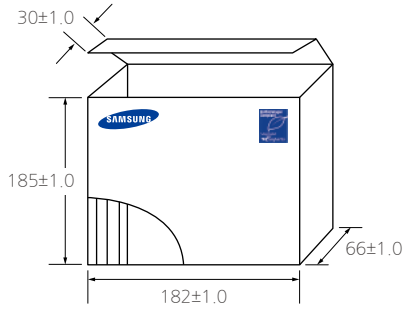


Packaging Specifications

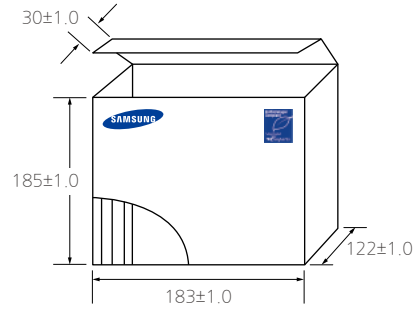
III. 7" Box packaging

(Unit : mm)

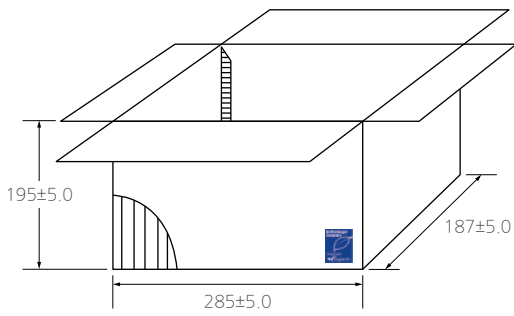
■ Inner Box (7" × 5 REEL)



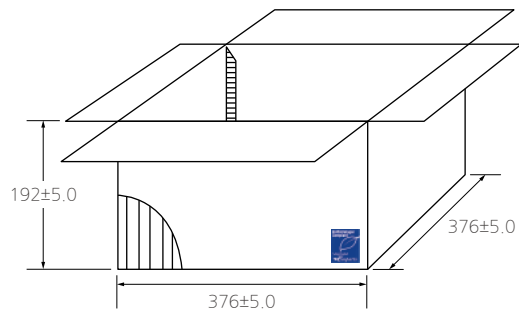
■ Inner Box (7" × 10 REEL)



■ Outer Box (7" × 20 REEL)

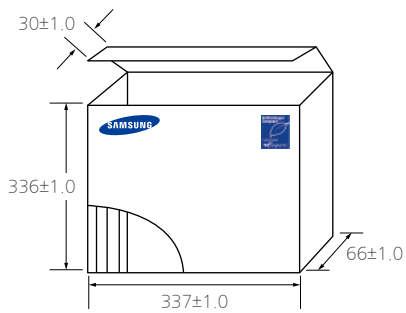


■ Outer Box (7" × 60 REEL)

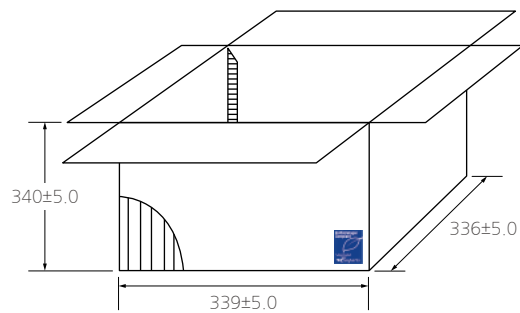


IV. 13" Box packaging

■ Inner Box (13" × 4 REEL)



■ Outer Box (13" × 20 REEL)





Caution/Notice

Product Characteristic data

1 Capacitance

The capacitance is the ratio of the change in an electric charge according to voltage change. Due to the fact that the capacitance may be subject to change with the measured voltage and frequency, it is highly recommended to measure the capacitance based on the following conditions.

I. Measure capacitance with voltage and frequency specified in this document.

Regarding the voltage/frequency condition for capacitance measurement of each MLCC model, please make sure to follow a section "C. Reliability test Condition - Capacitance" in this document.

The following table shows the voltage and frequency condition according to the capacitance range.

[The voltage and frequency condition according to MLCC the capacitance range]

Class I

Capacitance	Frequency	Voltage
≤1,000pF	1kHz±10%	0.5~5Vrms
>1,000pF	1kHz±10%	

Class II

Capacitance	Frequency	Voltage
≤10μF	1kHz±10%	1.0±0.2Vrms
>10μF	120Hz±20%	0.5±0.1Vrms
Exception	1kHz±10%	0.5±0.1Vrms

* Capacitance shall be measured after the heat treatment of 150+0/-10°C for 1hr, leaving at room temperature for 24±2hr. (ClassII)

II. It is recommended to use measurement equipment with the ALC (Auto Level Control) option.

The reason is that when capacitance or measurement frequency is high, the output voltage of measurement equipment can be lower than the setting voltage due to the equipment limitation. Note that when capacitance or measurement frequency is excessively high, the measurement equipment may show ALC off warning and provide a lower output voltage than the setting voltage even with ALC option selected. It is necessary to ensure the output voltage of measurement equipment is the same as the setting voltage before measuring capacitance.

III. Capacitance value of high dielectric constant (ClassII) MLCC changes with applied AC and DC voltage. Therefore, it is necessary to take into account MLCC's AC voltage characteristics and DC-bias voltage characteristics when applying MLCC to the actual circuit.

IV. The capacitance is in compliance with the EIA RS-198-1-F-2002.

2 Tan δ (DF)

I. An ideal MLCC's energy loss is zero, but real MLCC has dielectric loss and resistance loss of electrode. DF (Dissipation Factor) is defined as the ratio of loss energy to stored energy and typically being calculated as percentage.

II. Quality factor (Q factor) is defined as the ratio of stored energy to loss energy. The equation can be described as 1/DF. Normally the loss characteristic of Class I MLCC is presented in Q, since the DF value is so small whereas the loss characteristic of ClassII MLCC is presented in DF.

III. It is recommended to use Class I MLCC for applications to require good linearity and low loss such as coupling circuit, filter circuit and time constant circuit.



Caution/Notice

3 Insulation Resistance

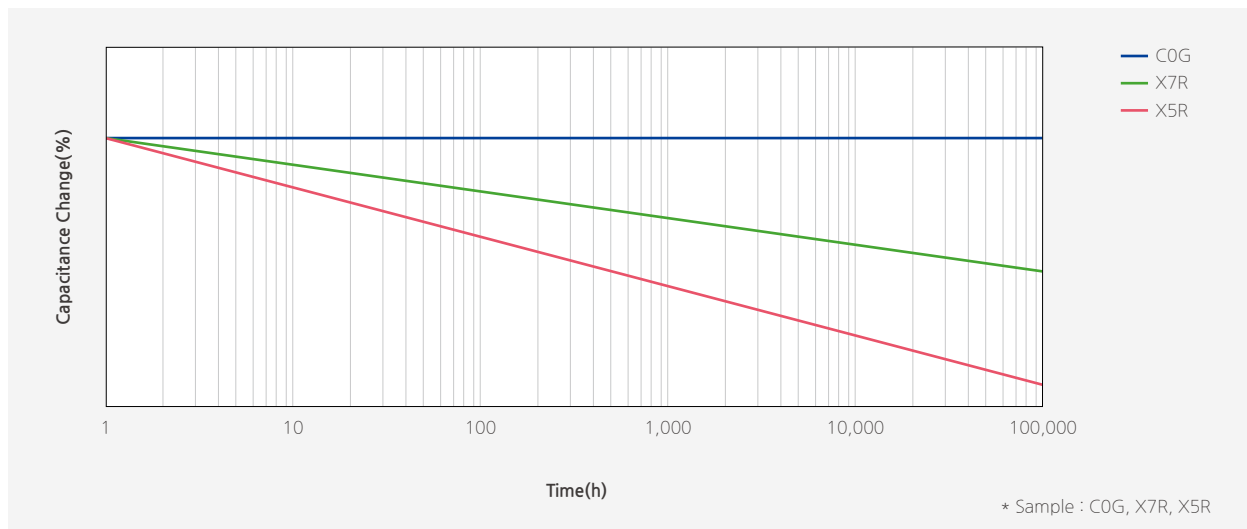
Ceramic dielectric has a low leakage current with DC voltage due to the high insulating properties. Insulation resistance is defined as the ratio of a leakage current to DC voltage.

- I. When applying DC voltage to MLCC, a charging current and a leakage current flow together at the initial stage of measurement. While the charging current decreases, and insulation resistance (IR) in MLCC is saturated by time. Therefore, insulation resistance shall be measured 1 minute after applying the rated voltage.

4 Capacitance Aging

The aging characteristic is that the high dielectric (Class II) MLCC decreases capacitance value over time. It is also necessary to consider the aging characteristic with voltage and temperature characteristics when Class II MLCC is used in circuitry.

- I. In general, aging causes capacitance to decrease linearly with the log of time as shown in the following graph. Please check with SEMCO for more details, since the value may vary between different models.
- II. After heat treatment (150 °C, 1hour), the capacitance decreased by aging is recovered, so aging should be considered again from the time of heat treatment.



[Example of Capacitance Aging]

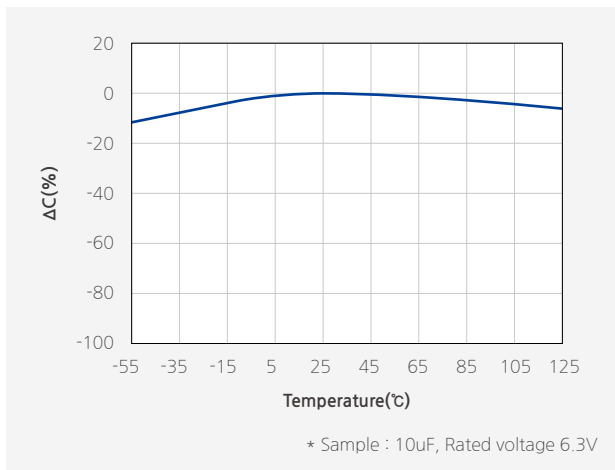


Caution/Notice

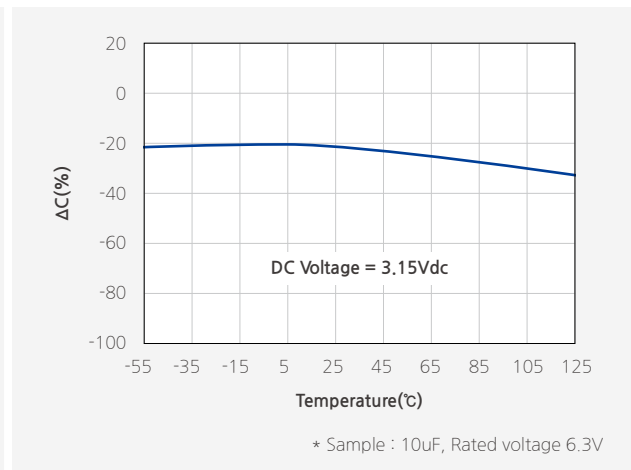
5 Temperature Characteristics of Capacitance (TCC)

Please consider temperature characteristics of capacitance since the electrical characteristics such as capacitance changes which is caused by a change in ceramic dielectric constant by temperature.

I. It is necessary to check the values specified in section “C. Reliability test Condition-Temperature Characteristics” for the temperature and capacitance change range of MLCC.



[Example of Temperature Characteristics (X7R)]



[Example of Bias TCC]

II. When selecting MLCC, it is necessary to consider the heat characteristics of a system, room temperature and TCC of MLCC, since the applied temperature may change the capacitance of MLCC.

III. In addition, Bias TCC of MLCC should be taken into account when DC voltage is applied to MLCC.

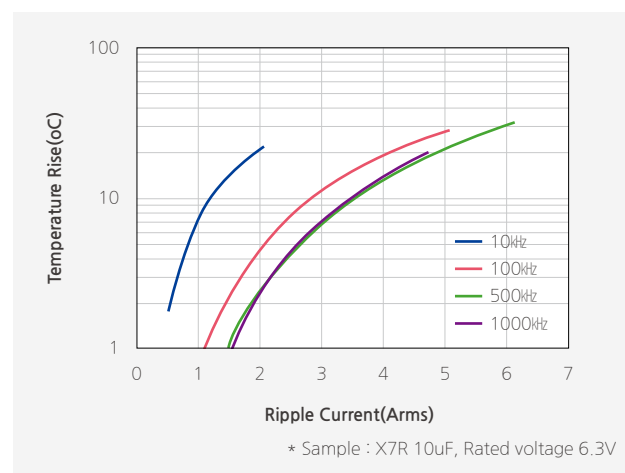
6 Self-heating Temperature

It is necessary to design the system, with considering self-heating generated by the ESR (Equivalent Series Resistance) of MLCC when AC voltage or pulse voltage is applied to MLCC.

I. When MLCC is used in an AC voltage or pulse voltage circuit, self-heating is generated when AC or pulse current flows through MLCC. Short-circuit may be occurred by the degradation of MLCC's insulating properties.

II. The reliability of MLCC may be affected by MLCC being used in an AC voltage or pulse voltage circuit, even the AC voltage or the pulse voltage is within the range of rated voltage. Therefore, make sure to check the following conditions.

- 1) The surface temperature of MLCC must stay within the maximum operating temperature after AC or Pulse voltage is applied.
- 2) The rise in increase by self-heating of MLCC must not exceed 20°C (Applicable to Rated Voltage of less than 100Vdc)



[Example of Ripple current]

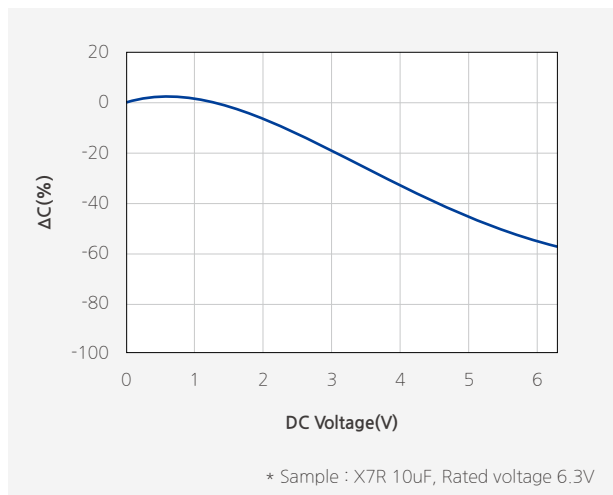


Caution/Notice

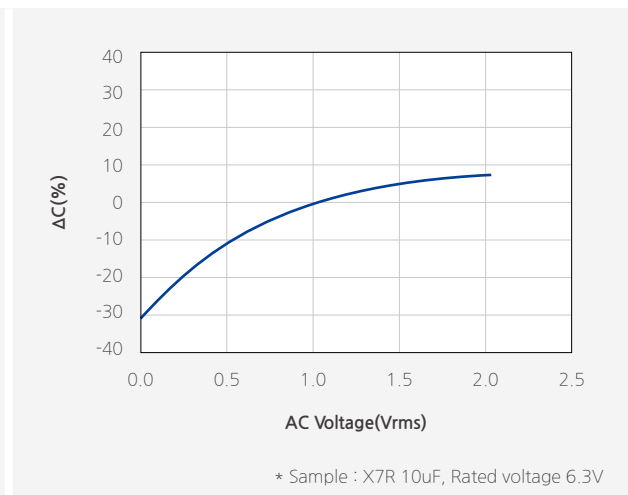
7 DC & AC Voltage Characteristics

It is required to consider voltage characteristics in the circuit since the capacitance value of high dielectric constant MLCC(ClassII) is changed by applied DC & AC voltage.

- I. Please ensure the capacitance change is within the allowed operating range of a system. In particular, when high dielectric constant type MLCC (ClassII) is used in circuit with narrow allowed capacitance tolerance, a system should be designed with considering DC voltage, temperature characteristics and aging characteristics of MLCC.
- II. It is necessary to consider the AC voltage characteristics of MLCC and the AC voltage of a system, since the capacitance value of high dielectric constant type MLCC (ClassII) varies with the applied AC voltage.



[Example of DC Bias characteristics]



[Example of AC voltage characteristics]

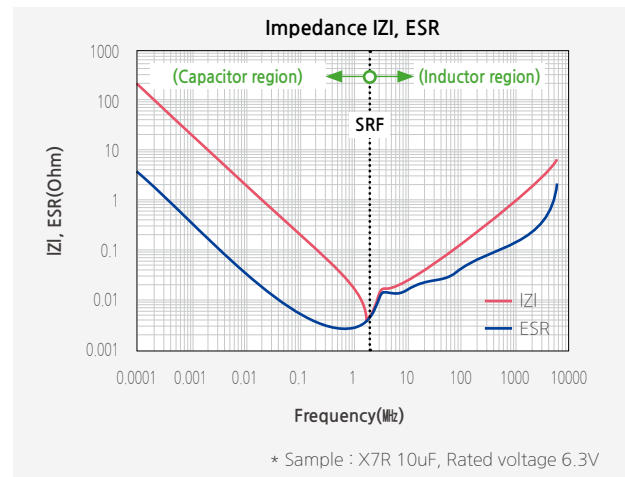


Caution/Notice

8 Impedance Characteristic

Electrical impedance (Z) of MLCC is the measurement of the opposition that MLCC presents to a current (I) when a voltage (V) is applied. It is defined as the ratio of the voltage to the current ($Z=V/I$). Impedance extends the concept of resistance to AC circuits and is a complex number consisting of the real part of resistance (R) and the imaginary part of reactance (X) as $Z=R+jX$. Therefore, it is required to design circuit with consideration of the impedance characteristics of MLCC based on the frequency ($Z=R+jX$)

- I. MLCC operates as a capacitor in the low frequency and its reactance (XC) decreases as frequency increases ($X_C=1/j2\pi fC$) where f is frequency and C is capacitance. The resistance (ESR; Equivalent Series Resistance) of MLCC in the low frequency mainly comes from the loss of its dielectric material.
- II. MLCC operates as an inductor in the high frequency and the inductance of MLCC is called ESL (Equivalent Series Inductance). The reactance (XL) of MLCC in the high frequency increases as frequency increases ($X_L=j2\pi f\cdot ESL$). The resistance (ESR) of MLCC in the high frequency mainly comes from the loss of its electrode metal.
- III. SRF (Self Resonant Frequency) of MLCC is the frequency where its capacitive reactance (XC) and inductive reactance (XL) cancel each other and the impedance of MLCC has only ESR at SRF.
- IV. The impedance of MLCC can be measured by a network analyzer or an impedance analyzer. When using the network analyzer, please note that the small-signal input may lead to the impedance of low capacitance caused by the AC voltage characteristic of MLCC.



[Example of Impedance characteristics]



Caution/Notice

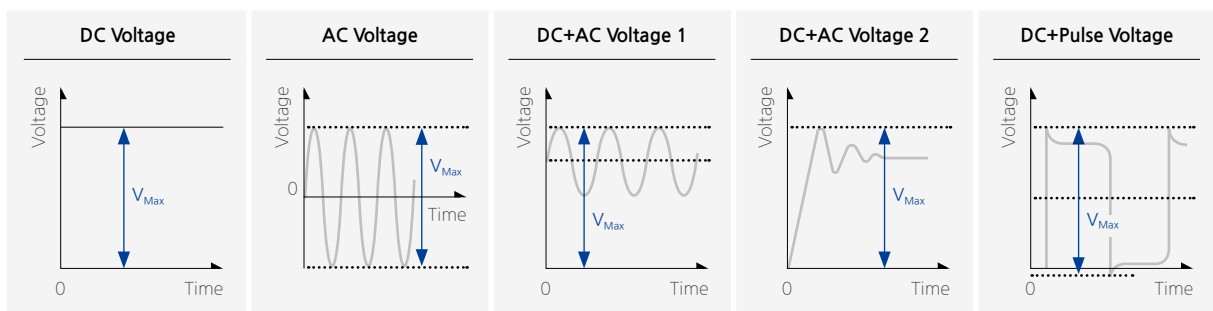
Electrical & Mechanical Caution

1 Applied Voltage

The actual applied voltage on MLCC should not exceed the rated voltage set in the specifications.

I. Cautions by types of voltage applied to MLCC

- For DC voltage or DC+AC voltage, DC voltage or the maximum value of DC + AC voltage should not exceed the rated voltage of MLCC.
- For AC voltage or pulse voltage, the peak-to-peak value of AC voltage or pulse voltage should not exceed the rated voltage of MLCC.
- Abnormal voltage such as surge voltage, static electricity should not exceed the rated voltage of MLCC.



[Types of Voltage Applied to the Capacitor]

II. Effect of EOS (Electrical Overstress)

- Electrical Overstress can cause damages to MLCC, resulting in the electrical short failure caused by the dielectric breakdown in MLCC.
- Down time of MLCC is varied with the applied voltage and the room temperature and a dielectric shock caused by EOS can accelerate heating on the dielectric. Therefore, it can bring about a failure of MLCC in a market at the early stage.
- Please use caution not to apply excessive electrical overstress including spike voltage MLCC when preparing MLCC for testing or evaluating.

2 Vibration

Please check the types of vibration and shock, and the status of resonance. Manage MLCC not to generate resonance and avoid any kind of impact to terminals. When MLCC is used in a vibration environment, please make sure to contact us for the situation and consider special MLCC such as Soft-term, etc.

3 Shock

Mechanical stress caused by a drop may cause damages to a dielectric or a crack in MLCC. Do not use a dropped MLCC to avoid any quality and reliability deterioration. When piling up or handling printed circuit boards, do not hit MLCC with the corners of a PCB to prevent cracks or any other damages to the MLCC.

4 Piezo-electric Phenomenon

MLCC may generate a noise due to vibration at specific frequency when using the high dielectric constant MLCC (Class II) at AC or Pulse circuits. MLCC may cause a noise if MLCC is affected by any mechanical vibrations or shocks



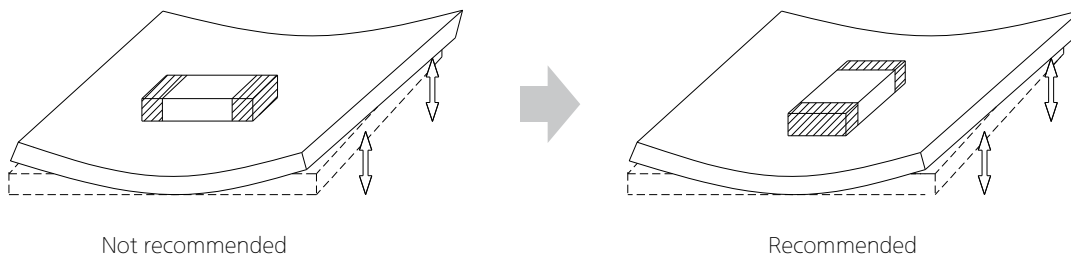
Caution/Notice

Process of Mounting and Soldering

I Mounting

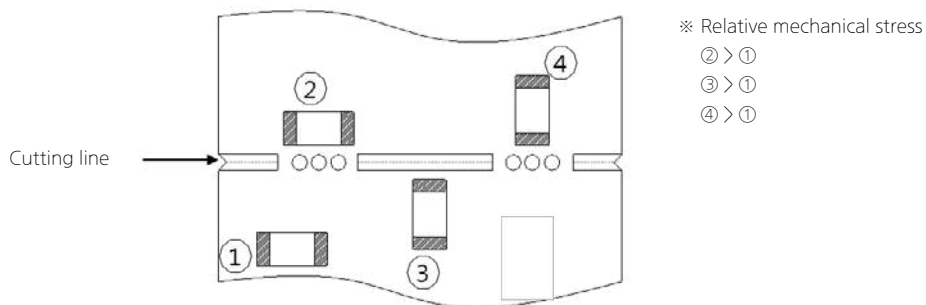
I. Mounting position

It is recommended to locate the major axis of MLCC in parallel to the direction in which the stress



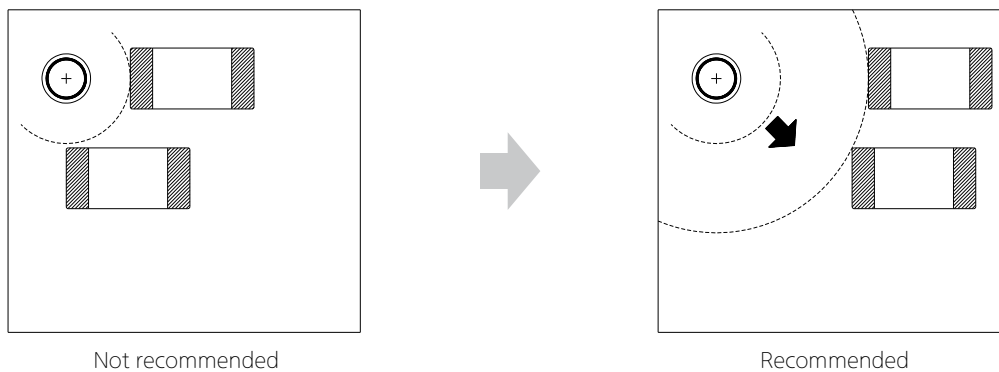
II. Cautions during mounting near the cutout

Please take the following measures to effectively reduce the stress generated from the cutting of PCB. Select the mounting location shown below, since the mechanical stress is affected by a location and a direction of MLCC mounted near the cutting line.



III. Cautions during mounting near screw

If MLCC is mounted near a screw hole, the board deflection may be occurred by screw torque. Mount MLCC as far from the screw holes as possible.





Caution/Notice

2 Caution before Mounting

- I. It is recommended to store and use MLCC in a reel. Do not re-use MLCC that was isolated from the reel.
- II. Check the capacitance characteristics under actual applied voltage.
- III. Check the mechanical stress when actual process and equipment is in use.
- IV. Check the rated capacitance, rated voltage and other electrical characteristics before assembly. Heat treatment must be done prior to measurement of capacitance.
- V. Check the solderability of MLCC that has passed shelf life before use.
- VI. The use of Sn-Zn based solder may deteriorate the reliability of MLCC.

3 Cautions during Mounting with Mounting (pick-and-place) Machines

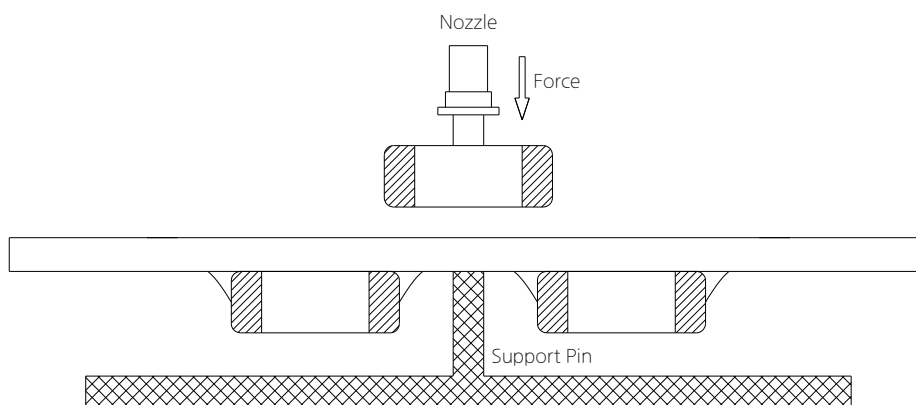
I. Mounting Head Pressure

Excessive pressure may cause cracks in MLCC. It is recommended to adjust the nozzle pressure within the maximum value of 300g.f. Additional conditions must be set for both thin film and special purpose MLCC.

II. Bending Stress

When using a two-sided substrate, it is required to mount MLCC on one side first before mounting on the other side due to the bending of the substrate caused by the mounting head.

Support the substrate as shown in the picture below when MLCC is mounted on the other side. If the substrate is not supported, bending of the substrate may cause cracks in MLCC.



III. Suction nozzle

Dust accumulated in a suction nozzle and suction mechanism can impede a smooth movement of the nozzle. This may cause cracks in MLCC due to the excessive force during mounting. If the mounting claw is worn out, it may cause cracks in MLCC due to the uneven force during positioning. A regular inspection such as maintenance, monitor and replacement for the suction nozzle and mounting claw should be conducted.



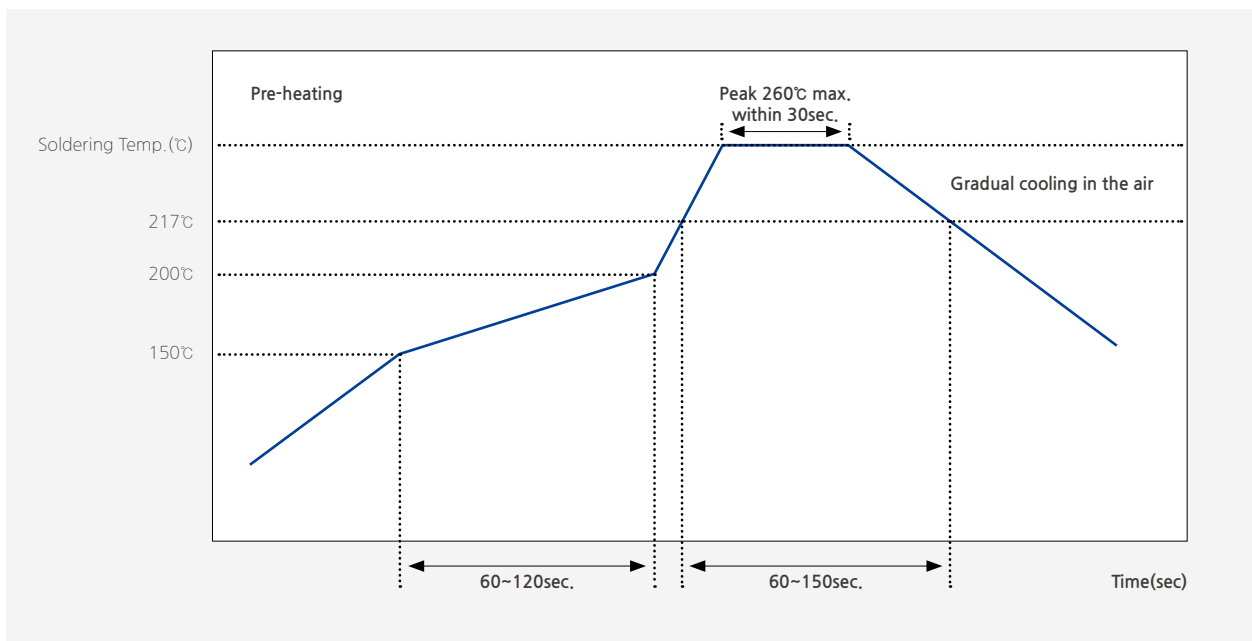
Caution/Notice

4 Reflow soldering

MLCC is in a direct contact with the dissolved solder during soldering, which may be exposed to potential mechanical stress caused by the sudden temperature change. Therefore, MLCC may be contaminated by the location movement and flux. For the reason, the mounting process must be closely monitored.

Method		Classification
Reflow soldering	Overall heating	Infrared rays
		Hot plate
		VPS(Vapor phase)
	Local heating	Air heater
		Laser
		Light beam

I . Reflow Profile



[Reflow Soldering Conditions]

Use caution not to exceed the peak temperature (260°C) and time (30sec) as shown. Pre-heating is necessary for all constituents including the PCB to prevent the mechanical damages on MLCC. The temperature difference between the PCB and the component surface must be kept to the minimum.

As for reflow soldering, it is recommended to keep the number of reflow soldering to less than three times. Please check with us when the number of reflow soldering needs to exceed three times. Care must be exercised especially for the ultra-small size, thin film and high capacitance MLCC as they can be affected by thermal stress more easily.



Caution/Notice

II. Reflow temperature

The following quality problem may occur when MLCC is mounted with a lower temperature than the reflow temperature recommended by a solder manufacturer. The specified peak temperature must be maintained after taking into consideration the factors such as the placement of peripheral constituent and the reflow temperature.

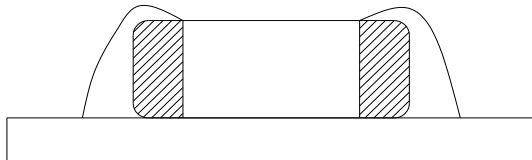
- Drop in solder wettability
- Solder voids
- Potential occurrence of whisker
- Drop in adhesive strength
- Drop in self-alignment properties
- Potential occurrence of tombstones

III. Cooling

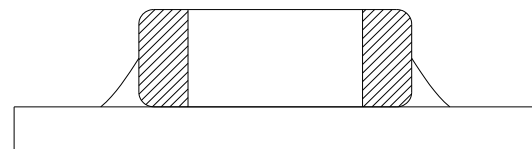
Natural cooling with air is recommended.

IV. Optimum solder flux for reflow soldering

- Overly the thick application of solder pastes results in an excessive solder fillet height. This makes MLCC more vulnerable to the mechanical and thermal stress from the board, which may cause cracks in MLCC.
- Too little solder paste results in a lack of the adhesive strength, which may cause MLCC to isolate from PCB
- Check if solder has been applied uniformly after soldering is completed.



Too Much Solder
large stress may cause cracks



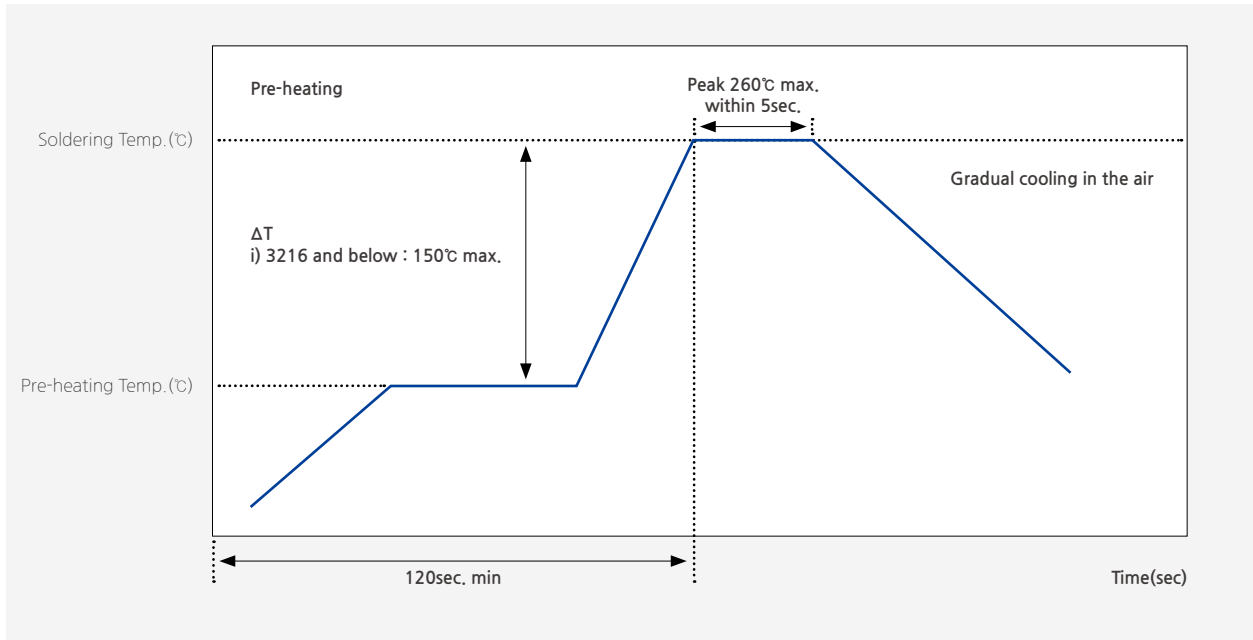
Not enough solder
Weak holding force may cause bad connections or detaching of the capacitor

- It is required to design a PCB with consideration of a solder land pattern and its size to apply an appropriate amount of solder to MLCC. The amount of the solder at the edge may impact directly on cracks in MLCC.

Caution/Notice

5 Flow soldering

I. Flow profile



[Flow Soldering Conditions]

Take caution not to exceed peak temperature (260°C) and time (5sec) as shown. In case of flow soldering, only 1608(0603inch), 2012(0805inch), 3216(1206inch) case size are recommended to use.

Please contact us before use the type of high capacitance and thin film MLCC for some exceptions that may be caused.

II. Caution before Flow soldering

- When a sudden heat is applied to MLCC, the mechanical rigidity of MLCC is deteriorated by the internal deformation of MLCC. Preheating all the constituents including PCB is required to prevent the mechanical damages on MLCC. The temperature difference between the solder and the surface of MLCC must be kept to the minimum.
- If the flow time is too long or the flow temperature is too high, the adhesive strength with PCB may be deteriorated by the leaching phenomenon of the outer termination, or the capacitance value may be dropped by weak adhesion between the internal termination and the outer termination.



Caution/Notice

6 Soldering Iron

Manual soldering can pose a great risk on creating thermal cracks in MLCC. The high temperature soldering iron tip may come into a direct contact with the ceramic body of MLCC due to the carelessness of an operator. Therefore, the soldering iron must be handled carefully, and close attention must be paid to the selection of the soldering iron tip and to temperature control of the tip.

I. How to use a soldering Iron

- In order to minimize damages on MLCC, preheating MLCC and PCB is necessary. A hot plate and a hot air type preheater should be used for preheating
- Do not cool down MLCC and PCB rapidly after soldering.
- Keep the contact time between the outer termination of MLCC and the soldering iron as short as possible. Long soldering time may cause problems such as adhesion deterioration by the leaching phenomenon of the outer termination.

Variation of Temp.	Soldering Temp.(°C)	Pre-heating Time(sec)	Soldering Time(sec)	Cooling Time(sec)
$\Delta T \leq 130$	$300 \pm 10^\circ\text{C}$ max	≥ 60 , @150°C	≤ 4	-

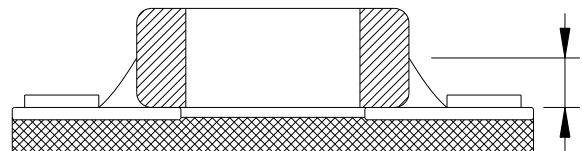
* Control ΔT in the solder iron and preheating temperature.

Condition of Iron facilities		
Wattage	Tip diameter	Soldering time
20W max	3mm max	4sec max

* Caution - Iron tip should not contact with ceramic body directly
Lead-free solder: Sn-3.0Ag-0.5Cu

II. Cautions for re-work

- Too much solder amount will increase the risk of PCB bending or cause other damages.
- Too little solder amount will result in MLCC breaking loose from the PCB due to the inadequate adhesive strength.
- Check if the solder has been applied properly and ensure the solder fillet has a proper shape.



* Soldering wire below $\phi 0.5\text{mm}$ is required for soldering.

7 Cleaning

I. In general, cleaning is unnecessary if rosin flux is used.

When acidic flux is used strongly, chlorine in the flux may dissolve into some types of cleaning fluids, thereby affecting the performance of MLCC. This means that the cleansing solution must be carefully selected and should always be new.

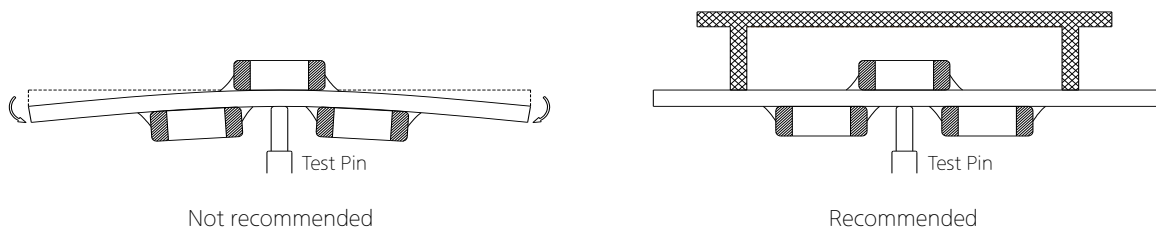
II. Cautions for cleaning

MLCC or solder joint may be cracked with the vibration of PCB, if ultrasonic vibration is too strong during cleaning. When high pressure cleaning equipment is used, test should be done for the cleaning equipment and its process before the cleaning in order to avoid damages on MLCC.

Caution/Notice

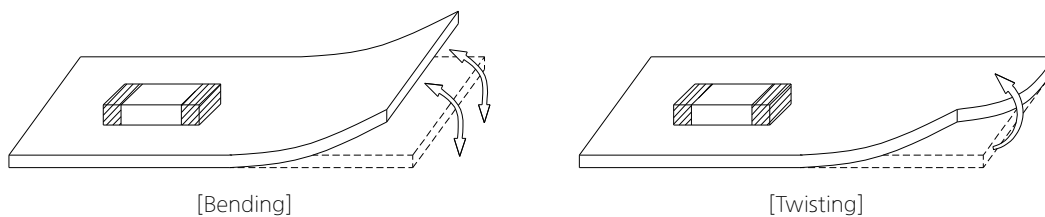
8 Cautions for using electrical measuring probes

- Confirm the position of the support pin or jig when checking the electrical performance of MLCC after mounting on the PCB.
- Watch for PCB bending caused by the pressure of a test-probe or other equipment.
- If the PCB is bent by the force from the test probe, MLCC may be cracked or the solder joint may be damaged.
- Avoid PCB flexing by using the support pin on the back side of the PCB.
- Place equipment with the support pin as close to the test-probe as possible.
- Prevent shock vibrations of the board when the test-probe contacts a PCB.



9 Printed Circuit Board Cropping

- Do not apply any stress to MLCC such as bending or twisting the board after mounting MLCC on the PCB.
- The stress as shown may cause cracks in MLCC when cutting the board.
- Cracked MLCC may cause degradation to the insulation resistance, thereby causing short circuit.
- Avoid these types of stresses applied to MLCC.



I. Cautions for cutting PCB

Check a cutting method of PCB in advance.

The high density board is separated into many individual boards after the completion of soldering. If the board is bent or deformed during separation, MLCC may be cracked. Carefully select a separation method that minimizes the deformation of the PCB.

Caution/Notice

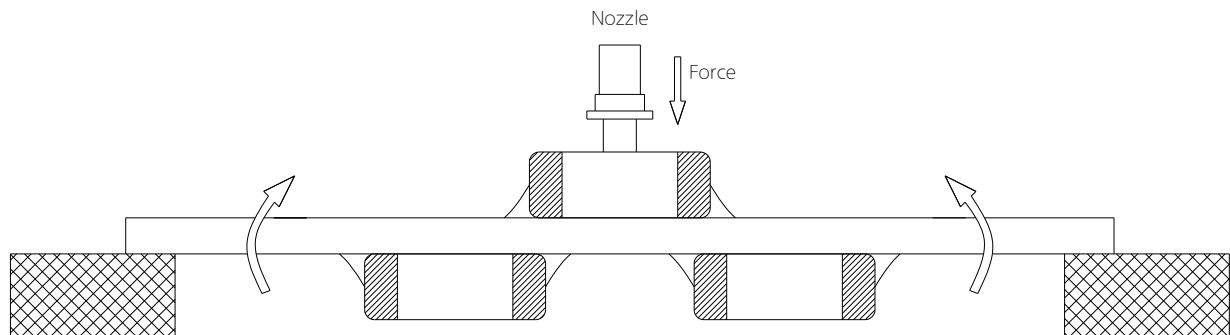
10 Assembly Handling

I. Cautions for PCB handling

Hold the edges of the board mounted with MLCC with both hands since holding with one hand may bend the board. Do not use dropped boards, which may degrade the quality of MLCC.

II. Mounting other components

Pay attention to the following conditions when mounting other components on the back side of The board after MLCC has been mounted on the front side. When the suction nozzle is placed too close to the board, board deflection stress may be applied to MLCC on the back side, resulting in cracks in MLCC. Check if proper value is set on each chip mounter for a suction location, a mounting gap and a suction gap by the thickness of components.

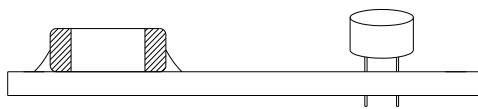


III. Board mounting components with leads

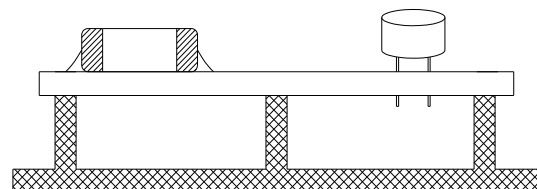
If the board is bent when inserting components (transformer, IC, etc.) into it, MLCC or solder joint may be cracked.

Pay attention to the following:

- Reduce the stress on the board during insertion by increasing the size of the lead insertion hole.
- Insert components with leads into the board after fixing the board with support pins or a dedicated jig.
- Support the bottom side of the board to avoid bending the board.
- Check the status of the height of each support pin regularly when the support pins are used.



Not recommended

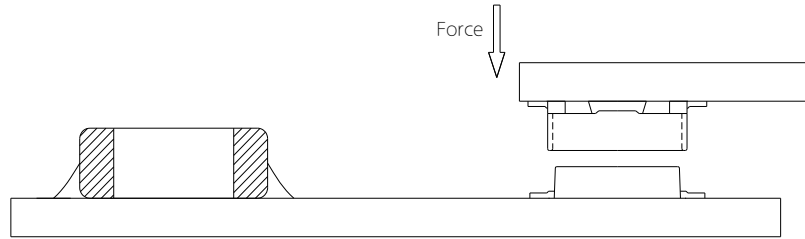


Recommended

Caution/Notice

IV. Socket and / or connector attach / detach

Since the insertion or removal from sockets and connectors may cause the board to bend, make sure that MLCC mounted on the board should not be damaged in this process.



V. Fastening screw

When attaching a shield on a board, the board may be bent during a screw tightening work.

Pay attention to the following conditions before performing the work.

- Plan the work to prevent the board from bending.
- Use a torque driver to prevent over-tightening of the screw.
- Since the board may be bent by soldering, use caution in tightening the screw.

II Adhesive selection

Pay attention to the following if an adhesive is used to position MLCC on the board before soldering.

I. Requirements for Adhesives

- They must have enough adhesive strength to prevent MLCC from slipping or moving during the handling the board.
- They must maintain their adhesive strength when exposed to soldering temperatures.
- They should not spread when applied to the PCB.
- They should have a long pot life.
- They should hardened quickly.
- They should not corrode the board or MLCC materials.
- They should be an insulator type that does not affect the characteristic of MLCC.
- They should be non-toxic, not harmful, and particularly safe when workers touch the adhesives.



Caution/Notice

II. Caution before Applying Adhesive

Check the correct application conditions before attaching MLCC to the board with an adhesive. If the dimension of land, the type of adhesives, the amount of coating, the contact surface areas, the curing temperature, or other conditions are not appropriate, it may degrade the MLCC performance.

III. Cautions for selecting Adhesive

Depending on the type of the chosen adhesive, MLCC insulation resistance may be degraded. In addition, MLCC may be cracked by the difference in contractile stress caused by the different contraction rate between MLCC and the adhesive.

IV. Cautions for the amount of applied adhesive and curing temperature

- The inappropriate amount of the adhesive cause the weak adhesive strength, resulting in the mounting defect in MLCC.
- Excessive use of the adhesive may cause a soldering defect, loss of electrical connection, incorrect curing, or slippage of a mounting position, thereby an inflow of the adhesive onto the land section should be avoided.
- If the curing temperature is too high or the curing time is too long, the adhesive strength will be degraded. In addition, oxidation both on the outer termination (Sn) of MLCC and the surface of the board may deteriorate the solderability.

12 Flux

- I. The excessive amount of flux generates excessive flux gases which may deteriorate solderability. Therefore, apply the flux thin and evenly as a whole.
- II. Flux with a high ratio of halogen may oxidize the outer termination of MLCC, if cleaning is not done properly. Therefore, use flux with a halogen content of 0.1% max.
- III. Strong acidic flux can degrade the MLCC performance.
- IV. Check the solder quality of MLCC and the amount of remaining flux surrounding MLCC after the mounting process.

13 Coating

I. Crack caused by Coating

A crack may be caused in the MLCC due to amount of the resin and stress of thermal contraction of the resin during coating process. During the coating process, the amount of resin and the stress of thermal contraction of the resin may cause cracks in MLCC. The difference of thermal expansion coefficient between the coating, or a molding resin may cause destruction, deterioration of insulation resistance or dielectric breakdown of MLCC such as cracks or detachment, etc.

II. Recommended Coating material

- A thermal expansion coefficient should be as close to that of MLCC as possible.
- A silicone resin can be used as an under-coating to buffer the stress.
- The resin should have a minimum curing contraction rate.
- The resin should have a minimum sensitivity (ex. Epoxy resin).
- The insulation resistance of MLCC can be deteriorated if a high hygroscopic property resin is used in a high humidity condition.
- Do not use strong acid substances due to the fact that coating materials inducing a family of halogen substances and organic acid may corrode MLCC.



Caution/Notice

Design

1 Circuit design

When the board is dropped or bent, MLCC mounted on the board may be short-circuited by the drop in insulation resistance. Therefore, it is required to install safety equipment such as a fuse to prevent additional accidents when MLCC is short-circuited, otherwise, electric short and fire may occur. This product is not a safety guaranteed product.

2 PCB Design

I. Unlike lead type components, SMD type components that are designed to be mounted directly on the board are fragile to the stress. In addition, they are more sensitive to mechanical and thermal stress than lead type components.

II. MLCC crack by PCB material type

A great difference of the thermal expansion coefficient between PCB and MLCC causes thermal expansion and contraction, resulting in cracks in MLCC. Even though MLCC is mounted on a board with a fluorine resin or on a single-layered glass epoxy, cracks in MLCC may occur.

3 Design system evaluation

I. Evaluate the actual design with MLCC to make sure there is no functional issue or violation of specifications of the finished goods.

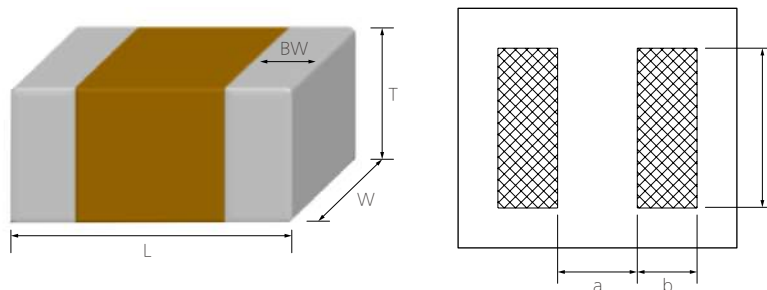
II. Please note that the capacitance may differ based on the operating condition of the actual system since Class 2 MLCC capacitance varies with applied voltage and temperature.

III. Surge resistance must be evaluated since the excessive surge caused by the inductance of the actual system may apply to MLCC.

IV. Note the actual MLCC size and the termination shape.

4 Land dimension

The recommended land dimension is determined by evaluating the actual SET and a board.





Caution/Notice

Reflow Footprint

Chip Size (mm)	Chip Tol. (mm)	a (mm)	b (mm)	c (mm)	(a+2b) min	(a+2b) max
0201	± 0.013	0.07~0.08	0.09~0.14	0.125~0.135	0.25	0.36
	± 0.03	0.07~0.09	0.10~0.15	0.135~0.145	0.27	0.39
0402	± 0.02	0.14~0.18	0.19~0.23	0.20~0.24	0.52	0.64
	± 0.05	0.15~0.19	0.20~0.24	0.23~0.27	0.55	0.67
05025	± 0.025	0.18~0.22	0.24~0.28	0.25~0.29	0.66	0.78
0603	± 0.03	0.22~0.28	0.31~0.37	0.30~0.36	0.84	1.02
	± 0.05	0.23~0.29	0.32~0.38	0.32~0.38	0.87	1.05
	± 0.07	0.24~0.30	0.32~0.38	0.35~0.40	0.88	1.06
	± 0.09	0.25~0.31	0.33~0.39	0.36~0.42	0.91	1.09
1005	± 0.05	0.36~0.44	0.49~0.57	0.51~0.59	1.34	1.58
	± 0.07	0.37~0.45	0.49~0.57	0.53~0.61	1.35	1.59
	± 0.10	0.38~0.46	0.50~0.58	0.56~0.64	1.38	1.62
	± 0.15	0.40~0.48	0.52~0.60	0.61~0.69	1.44	1.68
	± 0.20	0.42~0.50	0.53~0.61	0.66~0.74	1.48	1.72
	± 0.25	0.44~0.52	0.55~0.63	0.71~0.79	1.54	1.78
	± 0.30	0.45~0.53	0.56~0.64	0.76~0.84	1.57	1.81
1608	± 0.10	0.63~0.73	0.71~0.81	0.80~0.90	2.05	2.35
	± 0.15	0.65~0.75	0.73~0.83	0.90~1.00	2.11	2.41
	± 0.20	0.67~0.77	0.74~0.84	0.95~1.05	2.15	2.45
	± 0.25	0.69~0.79	0.76~0.86	1.00~1.10	2.21	2.51
	± 0.30	0.71~0.81	0.77~0.87	1.05~1.15	2.25	2.55
2012	± 0.10	0.79~0.89	0.88~0.98	1.25~1.35	2.55	2.85
	± 0.15	0.81~0.91	0.90~1.00	1.30~1.40	2.61	2.91
	± 0.20	0.83~0.93	0.91~1.01	1.35~1.45	2.65	2.95
	± 0.25	0.85~0.95	0.93~1.03	1.40~1.50	2.71	3.01
	± 0.30	0.89~0.97	0.94~1.04	1.45~1.55	2.75	3.05
3216	± 0.20	1.64~1.76	1.19~1.31	1.74~1.86	4.02	4.38
	± 0.30	1.69~1.81	1.22~1.34	1.84~1.96	4.13	4.49
3225	± 0.20	1.64~1.76	1.29~1.41	2.64~2.76	4.22	4.58
	± 0.30	1.69~1.81	1.32~1.44	2.74~2.86	4.33	4.69
4532	± 0.40	2.17~2.33	1.75~1.91	3.42~3.58	5.67	6.15
5750	± 0.40	2.75~2.95	2.03~2.23	5.30~5.50	6.81	7.41

Flow Footprint

Chip Size (mm)	Chip Tol. (mm)	a (mm)	b (mm)	c (mm)	(a+2b) min	(a+2b) max
1608	-	0.60~1.00	0.60~0.80	0.60~0.80	1.8	2.6
2012	-	1.00~1.20	0.80~1.20	0.80~1.20	2.6	3.6
3216	-	2.00~2.40	1.00~1.20	1.00~1.40	4	4.8
3225	-	2.00~2.40	1.00~1.20	2.00~2.40	4	4.8



Caution/Notice

Others

1 Storage environment

I. Recommendation for temperature/humidity

Even taping and packaging materials are designed to endure a long-term storage, they should be stored with a temperature of 0~40°C and an RH of 0~70% otherwise, too high temperatures or humidity may deteriorate the quality of the product rapidly.

As oxidization is accelerated when relative humidity is above 70%RH, the lower the humidity is, the better the solderability is. As the temperature difference may cause dew condensation during the storage of the product, it is a must to maintain a temperature control environment

II. Shelf Life

An allowable storage period should be within 6 months from the outgoing date of delivery in consideration of solderability. As for products in storage over 6 months, please check solderability before use.

2 Caution for corrosive environment

As corrosive gases may deteriorate the solderability of MLCC outer termination, it is a must to store MLCC in an environment without gases. MLCC that is exposed to corrosive gases may cause its quality issues due to the corrosion of plating layers and the penetration of moisture.

3 Equipment in operation

I. Do not touch MLCC directly with bare hands to prevent an electric shock or damage.

II. The termination of MLCC shall not be contacted with a conductive object (short -circuit). Do not expose MLCC to conductive liquid containing acidic or alkaline material.

III. Do not use the equipment in the following conditions.

- (1) Exposure to water or oil
- (2) Exposure to direct sunlight
- (3) Exposure to Ozone or ultra-violet radiation.
- (4) Exposure to corrosive gas (e.g. hydrogen sulfide, sulfur dioxide, chlorine, ammonia gas)
- (5) Exposure to vibration or mechanical shock exceeding specified limit
- (6) Exposure to high humidity

IV. If the equipment starts generating any smoke, fire or smell, immediately switch it off or unplug from the power source. If the equipment is not switched off or unplugged, serious damage may occur due to the continuous power supply. Please be careful with the high temperature in this condition.

4 Waste treatment

In case of scrapping MLCC, it is incinerated or buried by a licensed industrial waste company. When scrapping MLCC, it is recommended to incinerate or bury the scrappage by a licensed industrial waste company.



Caution/Notice

5 Operating temperature

The operating temperature limit is determined by the specification of each models.

- I. Do not use MLCC over the maximum operating temperature. Pay attention to equipment's temperature distribution and the seasonal fluctuation of ambient temperature.
- II. The surface temperature of MLCC cannot exceed the maximum operating temperature including self-heating effects.

6 Transportation

The performance of MLCC may be affected by transportation conditions.

- I. MLCC shall be protected from excessive temperature, humidity and a mechanical force during transportation. During transportation, the cartons shall not be deformed and the inner packaging shall be protected from excessive external forces.
- II. Do not apply excessive vibrations, shocks or excessive forces to MLCC.
 - If excessive mechanical shock or stress are applied, MLCC's ceramic body may crack.
 - When the surface of MLCC is hit with the sharp edge of an air driver, a soldering iron, or a tweezers, etc, MLCC may crack or become short-circuited.
- III. MLCC may crack and become non-functional due to the excessive shocks or dropping during transportation.

7 Notice

Some special products are excluded from this document. Please be advised that this is a standard product specification for a reference only. We may change, modify or discontinue the product specifications without notice at any time. So, you need to approve the product specifications before placing an order. Should you have any question regarding the product specifications, please contact our sales personnel or application engineers.

Caution of Application

Disclaimer & Limitation of Use and Application

The products listed in this Specification sheet are NOT designed and manufactured for any use and applications set forth below.

Please note that any misuse of the products deviating from products specifications or information provided in this Spec sheet may cause serious property damages or personal injury. We will NOT be liable for any damages resulting from any misuse of the products, specifically including using the products for high reliability applications as listed below.

If you have any questions regarding this 'Limitation of Use and Application', you should first contact our sales personnel or application engineers.

- ① Aerospace/Aviation equipment
- ② Medical equipment
- ③ Military equipment
- ④ Disaster prevention/crime prevention equipment
- ⑤ Power plant control equipment
- ⑥ Atomic energy-related equipment
- ⑦ Undersea equipment
- ⑧ Traffic signal equipment
- ⑨ Data-processing equipment
- ⑩ Electric heating apparatus, burning equipment
- ⑪ Safety equipment
- ⑫ Any other applications with the same as or similar complexity or reliability to the applications



Part Numbering
General Capacitors
High Temperature
Mid/High Voltage
High Bending Strength

ESD Protection
Fail Safe
Application Guide
Reliability Test Conditions

Packaging Specifications
Caution/Notice
► **Components Sales Offices/
Manufacturing Sites**

Component Sales Offices

Head Office

150, Maeyeong-ro, Yeongtong-gu, Suwon-si, Gyeonggi-do, Republic of Korea
Tel +82-31-210-5114 (Main Number)

America

San Jose

Samsung Electro Mechanics America Inc. (HQ)
3655 N 1st street, San Jose CA 95134, U.S.A.
Tel +1-408-544-5454

San Diego

Samsung Electro Mechanics America Inc. (San Diego office)
5405 Morehouse Drive, Suite #220 San Diego CA 92121 USA
Tel +1-858-263-3024

Phoenix

Samsung Electro Mechanics America Inc. (Phoenix Office)
4505 E Chandler Blvd suite #105, Phoenix, AZ, 85048, U.S.A.
Tel +1-480-592-0184

Detroit

Samsung Electro Mechanics America Inc. (Detroit Office)
4121 N Atlantic Blvd Auburn Hills Michigan 48326, U.S.A.

Phoenix

Samsung Electro Mechanics America Inc. (Phoenix Office)
4505 East Chandler Blvd Suite 105 Phoenix, AZ 85048 USA
Tel +1-480-592-0184

Europe

Frankfurt

Samsung Electro-Mechanics GmbH. (HQ)
Koelner Str. 12, 65760 Eschborn, Germany.
Tel +49-6196-66-3300

Munich

Samsung Electro-Mechanics GmbH. (Munich Office)
Reichenbachstrasse 2, 85737 Ismaning, Germany.
Tel +49-6196-66-7237

Stuttgart

Samsung Electro-Mechanics GmbH. (Stuttgart Office)
Leitzstrasse 45, 70469 Stuttgart, Germany.
Tel +49-7114-906-6281

Helsinki

Samsung Electro-Mechanics GmbH. (Helsinki Office)
Keilaranta 1, 02150 Espoo, Finland.
Tel +35-898-53-1132

Asia

Shenzhen

Samsung Electro-Mechanics (ShenZhen) Co.,Ltd.(HQ)
14F, Tower A, SCC Building, Junction of Houhai Blvd. and Haide 1st Rd., Nanshan Dist., Shenzhen City, China.
Tel +86-755-8608-5574

Shanghai

Samsung Electro-Mechanics Co.,Ltd. (Shanghai Branch)
13F Room 1301-1302, Tower B, SOHO Zhongshan Building, No.1065 Zhongshan West Rd., Changning Dist., Shanghai City, China.
Tel +86-21-2501-5803

Beijing

Samsung Electro-Mechanics Co.,Ltd. (Beijing Branch)
21F 2101-3, Samsung Tower, Building 1, Yard31, Jinghui Street, Chaoyang Dist, Beijing City, China.
Tel +86-10-5092-8701

Taipei

Samsung Electro-Mechanics Co.,Ltd. (Taipei Branch)
9F-1, No.399 Rueykuang Rd., Neihu Dist., Taipei City, Taiwan.
Tel +886-2-2656-8351

Singapore

Samsung Electro-Mechanics Private Limited(HQ)
3 Church Street Samsung Hub #23-01 Singapore.
Tel +65-6933-2600

Penang

Samsung Electro-Mechanics Private Limited(Penang Office)
Unit 9-06, Menara Boustead, 39 Jalan Sultan Ahmad Shah, 10050, Georgetown, Penang, Malaysia.
Tel +60-4-818-3912

New Delhi

Samsung Electro-Mechanics Private Limited(New Delhi Office)
G-4, Ground Floor Salcon Aurum Building, Jasola New Delhi-110025, India.
Tel +91-956-005-0310

Tokyo

Samsung Electro-Mechanics Japan Co., Ltd(HQ)
Shinagawa Grand Central Tower 9F, 2-16-4, Kounan, Minato-ku, Tokyo, Japan.
Tel +81-3-6369-6461

Manufacturing Sites

Suwon Plant (HQ)

150, Maeyeong-ro, Yeongtong-gu, Suwon-si, Gyeonggi-do, Republic of Korea
Tel +82-31-210-5114 (Main Number)

Busan Plant

333, Noksansaneopjung-ro, Gangseo-gu, Busan, Republic of Korea
Tel +82-31-210-5114 (Main Number)

China Tianjin

80, Xiaqing road, TEDA west district, Tianjin, China
Tel +86-6686-3333 (1120, 3620)

**SAMSUNG
ELECTRO-MECHANICS**



Mouser Electronics

Authorized Distributor

Click to View Pricing, Inventory, Delivery & Lifecycle Information:

[Samsung Electro-Mechanics:](#)

[CL10B102KB85PNC](#) [CL10B222KB85PNC](#) [CL10B103KC85PNC](#) [CL21B104KBC5PNL](#) [CL21C221JB61PNL](#)
[CL31B105KBH5PNE](#) [CL21B223KC65PNC](#) [CL21B473KBC5PNL](#) [CL32Y106KLJ4PNE](#) [CL10B102KB85PNL](#)
[CL21B473KCCWPND](#) [CL21C221GB61PNC](#) [CL21B224KBF4PNE](#) [CL31B104KCPWPNE](#) [CL05B104KA54PNC](#)
[CL21B104KCC5PND](#) [CL21B152KB6WPNC](#) [CL21B105KOF4PNF](#) [CL31B225KBH4PNF](#) [CL10B104KB85PNL](#)
[CL21B103KB6WPND](#) [CL10B152KB85PNC](#) [CL21B105KAF4PNF](#) [CL21B473KBC5PNC](#) [CL21B472KC65PNC](#)
[CL10B473KB85PNL](#) [CL31B104KBC5PNC](#) [CL32B475KBJ4PNF](#) [CL31B104KBPWPNE](#) [CL21B683KBC5PNC](#)
[CL10B471KC85PNC](#) [CL10B471KC85PNL](#) [CL10Y225KQ84PNC](#) [CL21B152KB65PNC](#) [CL21B223KB65PNC](#)
[CL21B104KBCWPNL](#) [CL21B104KBF5PNE](#) [CL21C101JB61PND](#) [CL32Y476MPVVPJE](#) [CL21B102KB65PND](#)
[CL21B334KBF4PNF](#) [CL21B103KB6WPNC](#) [CL21C102JCC1PNC](#) [CL05B104KO54PND](#) [CL21B105KOF4PNE](#)
[CL31B225KBH4PNE](#) [CL05B104KO54PNC](#) [CL10B221KC85PNC](#) [CL21B334KBF4PNE](#) [CL10B103KB85PND](#)
[CL10B332KB85PNC](#) [CL10B104KO85PNC](#) [CL21B472KB65PND](#) [CL21B224KBF4PNG](#) [CL21B473KBCWPNC](#)
[CL21B683KBCWPNC](#) [CL32B475KBJ4PNE](#) [CL10B683KB85PNC](#) [CL21B105KOF4PNG](#) [CL21C102JBC1PNC](#)
[CL21C820JC61PNC](#) [CL21B104KBCWPNC](#) [CL10B105KO84PNC](#) [CL10B103KB85PNC](#) [CL10B223KB85PNC](#)
[CL21B223KC6WPNC](#) [CL21B102KB6WPNC](#) [CL21C101JC61PNC](#) [CL10B472KB85PNC](#) [CL31B224KBPWPNE](#)
[CL31B105KAP5PNE](#) [CL21C100JB61PNC](#) [CL21C221JB61PNC](#) [CL21C680JC61PNC](#) [CL21B683KBC5PNL](#)
[CL21B102KB65PNC](#) [CL10B104KB85PNC](#) [CL21B474KBF4PNG](#) [CL10B104KB85PND](#) [CL21C222JBC1PNC](#)
[CL21C681JCC1PNC](#) [CL10B473KB85PNC](#) [CL31B334KBH5PNF](#) [CL21B105KAF4PNG](#) [CL21B103KC6WPNC](#)
[CL21B222KB6WPNC](#) [CL21B473KCCWPNC](#) [CL21C220JB61PNC](#) [CL21B104KCC5PNC](#) [CL31B225KAH4PNE](#)
[CL21B105KAF4PNE](#) [CL21C121JB61PNC](#) [CL21B104KBC5PNC](#) [CL10B153KB85PNC](#) [CL21C331JB61PNC](#)
[CL21C820JB61PNC](#) [CL21B103KB65PNC](#) [CL21C120JB61PNC](#) [CL21C101JB61PNC](#) [CL21B223KB6WPNC](#)